

Keep your plates and dishes warm

The warming drawer is the perfect addition to your oven. It heats up plates and keeps your dishes warm until you're ready to serve them.

Product Benefits & Features



Excellent heat circulation inside the drawer

The high-performance fan inside the warming drawer circulates the heat evenly, keeping your food and plates at a constant temperature throughout the drawer.

- Anti fingerprint stainless steel finishing
- Load capacity for max. 6 persons servings, depending on the size of the dishes
- Warming drawer functions: Crockery warming, Defrost, Food Warming, Proving Dough
- Adjustable temperatures: 30-80°C
- Warm air circulation system



Ideal for quickly defrosting even the most delicate dishes

The warming drawer is also ideal for quickly defrosting even the most delicate dishes. Perfect for when you've forgotten to take something out of the freezer!



The ideal place to let your dough rise

The warming drawer is also ideal for letting your dough rise. Now you can bake bread like a professional baker.

Easy access and perfectly stable

The warming drawer is exceptionally easy to access because you can safely draw it out completely. Dishes and plates are stable on the anti-slip mat.

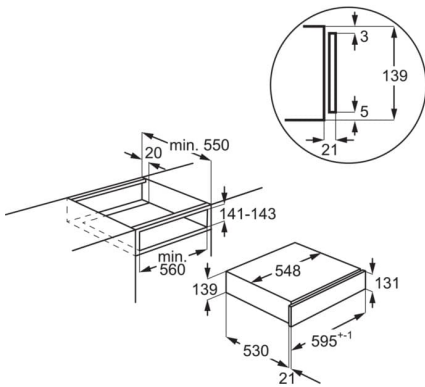
In perfect style

Thanks to its stylish design, the warming drawer seamlessly integrates with the rest of your kitchen and perfectly matches your AEG oven.

Product Specification

Width mm	595
Place Settings	6
Main colour	Stainless steel with antifingerprint
Installation	BI
Height total	139
Type of handle	None - Push Pull
Built in width mm	560
Built in height mm	141
Built in depth mm	550
Control function	Crockery warming, Defrost, Food Warming, Proving Dough
Door Handle design	No

PSGBDR180DE0000I



PSGBDR180DE0000J

