



### All the taste, Half the time

A succulent roast chicken, a creamy Dauphinoise, a rich beef casserole - all achieved in just half the time a conventional oven would require. The CombiQuick oven is the faster way to exceptional flavours and exciting dishes, combining hot air fan cooking with the speed of a microwave to give you the mouthwatering finish and

## Product Benefits & Features

### Microwave-grill combination. Fast Cooking with a crisp finish

Combine the power of a grill and the efficiency of a microwave, with Fast Cooking. Melt mozzarella-topped toasties, or harden a crème brûlée's sugared lid, all in the microwave. Versatile cooking, mastered.

### Functional. Integrated. Personalised. Smart Kitchen

Remotely manage your oven, explore our various partners, and even get personalised cooking assistance, all via the My AEG Kitchen App. It's the convenient and easy way to enrich your Smart Kitchen experience.



### Fast heat-up time, to get you cooking quickly

Superior and quick cooking results - this oven heats up fast, giving you more time to enjoy the meal with your family and friends.

### Intuitive oven cooking. With the EXCite Touch Display

The EXCite Touch Display provides access to a wide variety of oven functions to suit every dish. It also makes it easy to adjust oven temperature and timings. And gives you direct feedback, and highlights the most important information.

### Cooked Evenly everywhere

With this oven, using energy efficiently also means cooking efficiently. It has a new convection system called Hot Air, which ensures hot air circulates evenly throughout the oven cavity. The result is that the oven heats up faster and cooking temperatures can be reduced by up to 20%, saving you both time and energy

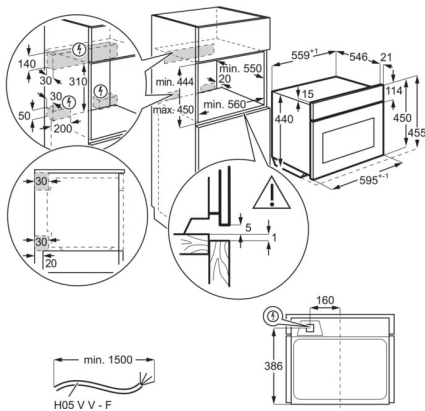
- Compact built-in oven
- Oven with integrated microwave function
- Microwave power: 1000 Watt
- Bottom oven energy class: No
- Oven cooking functions: Bottom heat, Bread baking, Browning/Au gratin, Conventional/Traditional cooking, Defrost, Dough proving, Drying, Frozen foods, Grilling, Keep warm, Low temp. cooking/Slow cooking, Microwave function, Pizza setting, Plate warming, Preserving, True fan cooking, Turbo grilling
- Oven cavity with 2 baking levels
- Fast oven heat up function
- Automatic temperature proposal
- Integrated recipes
- Automatic weight programs
- Electronic temperature regulation
- Electronic lock function
- Time extension function
- Electronic Child Lock safety function
- Heat and hold function
- Residual heat indication
- Touch Control
- Electronic oven functions overview: 90 recipes/automatic programmes (weight), Acoustic signal, Automatic switch off only oven, Child lock, Cooking time displayed with program, Demo mode, Direct access to MW-function, Duration, Electronic temperature regulation, End, Fast heat up selectable, Favourite cooking programme, Function lock, Heat and hold, Keep warm 65°C extended with LTC, Languages/Text display, Minute minder, Oven light on/off selectable, Real temperature indication, Residual heat indication, Residual heat usage, Running time displayed, Running time resettable, Service codes, Set & go, Switch off time of day in off status, Temperature proposal, Time extension, Time of day
- Halogen oven lighting
- Oven light automatic at door opening
- High gloss enamel oven lining, easy to clean
- ISOFRONT® PLUS cool oven door
- Fan stops when opening the door
- Cooling fan
- Trays supplied with the oven: 1 Dripping pan grey enamel, 1 Glass plate
- Grids supplied with the oven: 1 Wire shelf chromed
- Demo mode
- Multilingual oven display

**Product Specification**

Product Installation	Built_In
Product Typology	BI_Oven_Electric
Product Classification	Statement
Type	Compact
Installation	BI
Size	46x60
Oven Energy	Electrical
Cooking	Microwave/Multifunction
Cleaning top oven	Clean Enamel
Cleaning bottom oven	No
Nº of cavities	1
Design family	Mastery Range
Main colour	Black
Control Panel material	Glass
Type of doors	3 Glasses, Brand Logo on Glass, KR Graphic, Smiley cut-out big
Type of handle	Metal
Door type bottom oven	No
Door hinges	Drop Down Screwed
Drawer	No
Control lamps	No
Hob control	No
Left front - Hob control	No
Rear - Hob control	No
Right front - Hob control	No

Right rear - Hob control	No
Thermostat	Top
Type of timer min.	PUX
Electronic Oven Control	VCU CMW_19P_00_CO
Feature Electronics	90 recipes/automatic programmes (weight), Acoustic signal, Automatic switch off only oven, Child lock, Cooking time displayed with program, Demo mode, Direct access to MW-function, Duration, Electronic temperature regulation, End, Fast heat up selectable, Favourite cooking programme, Function lock, Heat and hold, Keep warm 65°C extended with LTC, Languages/Text display, Minute minder, Oven light on/off selectable, Real temperature indication, Residual heat indication, Residual heat usage, Running time displayed, Running time resettable, Service codes, Set & go, Switch off time of day in off status, Temperature proposal, Time extension, Time of day

PSGBOV180DE0000H



PSGBOV180DE0000J

