



ENERG



LOEWE.

bild i.65 - 60435*70



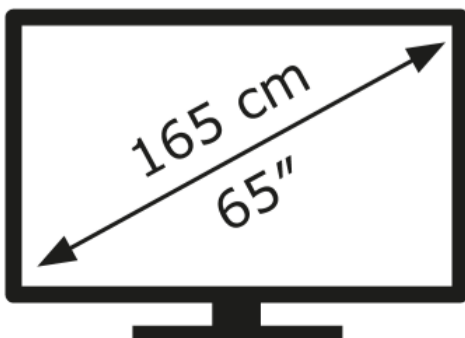
103 kWh/1000h

ABCDEF**G**



95 kWh/1000h

3840 px



2160 px