



# ENERG



We. SEE 50 -  
60513\*70

We. by Loewe



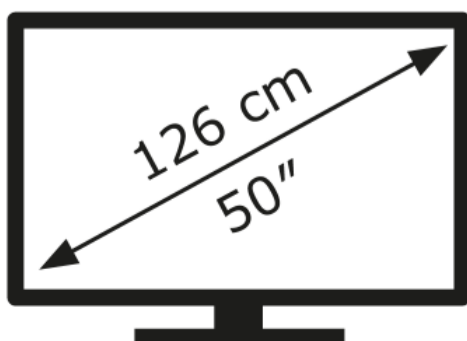
## 62 kWh/1000h

ABCDEF**G**



### 90 kWh/1000h

3840 px



2160 px