

iQ300, French door bottom freezer, multiDoor, 183 x 91 cm, Inox-easyclean KF96NVPEAG



American style / Multi door fridge freezer: perfect storage conditions for fish and meat as well as fruits and vegetables plus an abundance of easily accessible frozen food storage.

- ✓ noFrost – Never defrost your freezer again.
- ✓ High-gloss backwall with multiAirflow – Evenly chilled food and drinks on all levels.
- ✓ The safetyGlass shelves are of extra strong, easy-cleaning safety glass.
- ✓ LED light – Ample, even lighting helps you check what's in your fridge faster.
- ✓ The superCooling button reduces the temperature for a set time, to quickly cool down fresh food items.

Features

Technical Data

Energy Efficiency Class: E
 Average annual energy consumption in kilowatt hour per year (kWh/a): 333 kWh/annum
 Sum of volume of frozen compartments: 200 l
 Sum of volume of chill compartments: 405 l
 Airborne acoustical noise emissions : 38 dB(A) re 1 pW
 Airborne acoustical noise emission class: C
 Construction type: Free-standing
 Number of compressors: 1
 Number of independent cooling systems: 1
 Width of the appliance: 910 mm
 Depth of the product: 731 mm
 Net weight: 117.3 kg
 Door panel options: Not possible
 Door hinge: Left & Right
 Number of Adjustable Shelves in fridge compartment (Stck): 2
 Shelves for Bottles: No
 Interior ventilator: Yes
 Reversible Door Hinge: No
 Length of electrical supply cord: 240 cm
 Noise level: 38 dB(A) re 1 pW
 Multi-Flow Air Tower: Yes
 Fast cooling switch: Yes
 Fast freezing switch: Yes
 Temperature Controlled Drawer: No
 Humidity Control Drawer: No
 Number of Door Bins - Refrigerator: 5
 Door bin adjustability - Refrigerator: Yes
 Tilt-out door bins in fridge: Yes
 Gallon Storage: Yes
 Number of Gallon storage: 2
 Motorized Shelf: No
 Material of the shelves: Safety glass
 Door opened indicator freezer: No
 Automatic motor-driven ice-maker: No
 Fuse protection: 10 A
 Voltage: 220-240 V
 Frequency: 50-60 Hz
 Storage Period in Event of Power Failure (h): 15 h
 Approval certificates: CE
 Main colour of product: Inox-easyclean
 Door panel options: Not possible
 Noise level: 38 dB(A) re 1 pW
 Energy Star Qualified: No
 Approval certificates: CE
 Plug type: GB plug
 Required cutout/niche size for installation (in): x x
 Dimensions of the packed product: 74.99 x 39.29 x 30.23
 Net weight: 259.000 lbs
 Gross weight: 282.000 lbs



iQ300, French door bottom freezer, multiDoor, 183 x 91 cm, Inox- easyclean KF96NVPEAG

Features

- Stainless steel anti-fingerprint doors and chrome inox metallic side panels
- EU19_EEK_D: E
- Total Volume : 605 l
- Net Fridge Volume : 405 l
- Net Freezer Volume : 200 l
- Freezing capacity 24h : 13 kg
- Annual Energy Consumption: 333 kWh/a
- Climate Class: SN-T
- EU19_Fast freezer facility_D
- Noise Level : 38 dB , EU19_Noise emission class_D: C
- Temperature rise time : EU19_Temperature rise time_D: 15 H
- Standard door Stainless steel anti-fingerprint

Performance and Consumption

Design features

- Interior design with metal applications
- Standard door
- Stainless steel anti-fingerprint door and chrome inox metallic side panels.
- White glossy back wall
- LED display for fridge and freezer
- Automatic defrost in fridge section
- Sabbath Mode
- Super Cooling: automatic deactivation
- optical, Acoustic open door warning system
- Freezer malfunction warning signal: optical, acoustical
- Bright interior LED fridge light

Food freshness system

- multiAirflow cooling - improves circulation of air around the fridge
-
- coolBox - extra cold fridge drawer. Ideal to store meat and fish.

Dimension and installation

- 4 wheels for easier transport, 3 of them height adjustable.
- 220 - 240 V
- Dimensions: 183 cm H x 91 cm W x 73.1 cm D

Key features - Fridge section

- 3 safety glass shelves of which #2 are height adjustable, Standard shelf 2 shelves extendable
- Door shelves in fridge door: 2 large and 3 small.
- 3 safety glass shelves (2 height adjustable)
- 2 removable door storage compartments.
- Bright interior LED fridge light
-
- 1 crisperBox - vegetable/salad container with humidity control

Key features - Freezer section

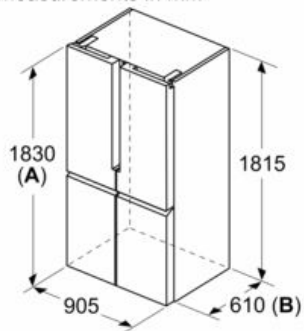
- 1 ice cube tray
- NoFrost
- 6 freezer drawers
- Net 4* compartment volume : 200 l
- Freezer malfunction warning signal: Acoustic Warning System
- Based on the results of the standard 24-hour test. Actual consumption depends on usage/position of the appliance.
- To achieve the declared energy consumption, the attached distanceholders have to be used. As a result, the appliance depth

increases by about 3.5 cm. The appliance used without the distance holder is fully functional, but has a slightly higher energy consumption.

**iQ300, French door bottom freezer,
multiDoor, 183 x 91 cm, Inox-
easyclean
KF96NVPEAG**

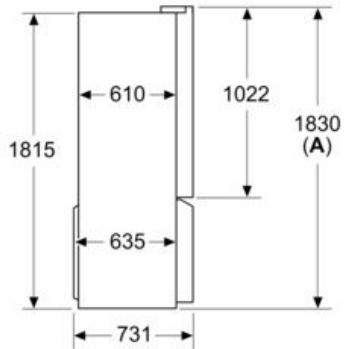
Dimensioned drawings

measurements in mm



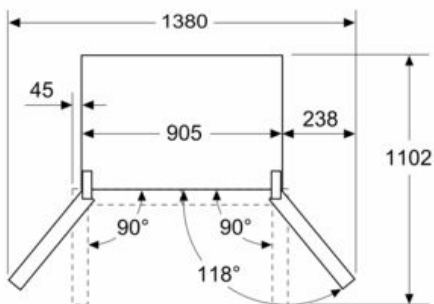
A: Front is adjustable from 1830 to 1847, with front levelling feet fully extended
B: Add 25 for fixed spacers on back

measurements in mm



A: Front is adjustable from 1830 to 1847, with front levelling feet fully extended

measurements in mm



measurements in mm

