

**Serie | 2, Built-in oven, Stainless steel
HBF113BR0B**



Included accessories

1 x insert grid
1 x combination grid
1 x universal pan

Optional accessories

HEZ625071 : Grill tray, anthracite enamelled
HEZ915003 : Glass roasting dish, 5,4 L

The built-in oven with 3D hot air: achieve perfect baking and roasting results on up to three levels simultaneously.

- **3D Hotair:** perfect results thanks to optimal distribution of heat on up to 3 levels simultaneously.
- **Red LED display control:** easy-to-use thanks to the time functions.
- Easy to clean grey enamel interior

Technical Data

Color / Material Front :	Stainless steel
Construction type :	Built-in
Integrated Cleaning system :	No
Required niche size for installation (HxWxD) :	575-597 x 560-568 x 550
Dimensions of the product (mm) :	595 x 594 x 548
Dimensions of the packed product (HxWxD) (mm) :	670 x 690 x 670
Control Panel Material :	Stainless steel
Door Material :	Glass
Net weight (kg) :	34.096
Usable volume of cavity (l) :	66
Cooking method :	Conventional
heat, Full width variable grill, Hot Air, Hot air grilling	
First cavity material :	Other
Oven control :	mechanical
Number of interior lights :	1
Approval certificates :	CE, VDE
Length of electrical supply cord (cm) :	100
EAN code :	4242005047062
Number of cavities (2010/30/EC) :	1
Energy efficiency class (2010/30/EC) :	A
Energy consumption per cycle conventional (2010/30/EC) :	0.98
Energy consumption per cycle forced air convection (2010/30/EC) :	0.79
Energy efficiency index (2010/30/EC) :	95.2
Connection rating (W) :	2970
Current (A) :	13
Voltage (V) :	220-240
Frequency (Hz) :	60; 50
Plug type :	GB plug



Serie | 2, Built-in oven, Stainless steel HBF113BR0B

The built-in oven with 3D hot air: achieve perfect baking and roasting results on up to three levels simultaneously.

Design

- LED-Display Control (Red)
- Drop down door
- Rotary dial
- Straight bar handle
- Cavity inner surface: Enamel grey

Features

- Automatic start
- Control panel lock
- Electronic clock timer
- Halogen interior light
- 5 shelf positions

Cleaning

- Full glass inner door

Programmes/functions

- Oven with 5 heating methods: 3D hot air, conventional top and bottom heat, Hotair grilling, Hotair gentle
-

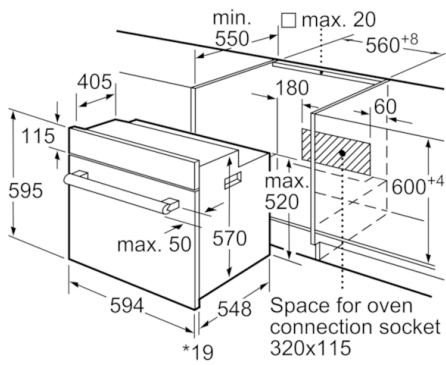
Standard accessories

- 1 x insert grid, 1 x combination grid, 1 x universal pan

Performance/technical information

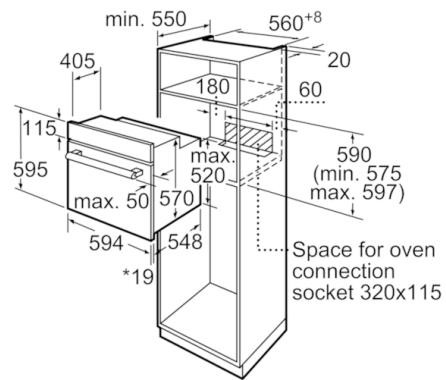
- Energy efficiency rating (acc. EU Nr. 65/2014): A
Energy consumption per cycle in conventional mode: 95.2
Energy consumption per cycle in fan-forced convection mode: 0.79 kwh
Number of cavities: 1
Cavity volume: 66 litre
- Temperature range 50 °C - 275 °C
- Integral cooling fan
- Length of mains cable: 100 cm
- Total connected load electric: 2.97 KW
- Nominal voltage: 220 - 240 V
- Appliance dimension (hwxwd): 595 mm x 594 mm x 548 mm
- Niche dimension (hwxwd): 575 mm - 597 mm x 560 mm - 568 mm x 550 mm
- Please refer to the dimensions provided in the installation manual

Serie | 2, Built-in oven, Stainless steel
HBF113BR0B



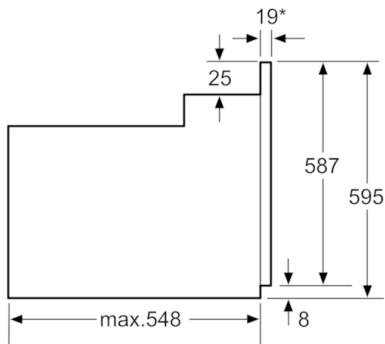
* 20 mm for metal fascias

measurements in mm



* 20 mm for metal fascias

measurements in mm



* 20 mm for metal fascias

Dimensions in mm