

Serie | 6
WTWH7660GB
SelfCleaning Condenser
Condenser tumble dryer with
heat pump

A++
Our Home Connect heatpump dryer with SelfCleaning Condenser. Great performance guaranteed with constantly low energy consumption of A++

- Automatic condenser cleaning guarantees a high drying performance and offers low energy consumption with an A++ rating.
- **SensitiveDrying System:** the unique drum structure protects and delivers a drying performance without creases.
- **Noise Level 64 dB:** dries quietly.
- **Home Connect:** home appliances with smart connectivity for an easier everyday life.
- **DirectSelect-Display:** extra comfortable full touch LED Display and illuminated control dial for easy program setting and intuitive operation with high precision.

Technical Data

Construction type :	Free-standing
Removable work top :	No
Door hinge :	Right
Length of electrical supply cord (cm) :	145.0
Height of removable worktop (mm) :	842
Dimensions of the product (mm) :	842 x 597 x 599
Net weight (kg) :	56.500
Fluorinated greenhouse gases :	No
Type of refrigerant :	R290
Hermetically sealed equipment :	Yes
Quantity of fluorinated gases (kg) :	0.149
The quantity expressed in CO2 equivalent (t) :	0.000
EAN code :	4242005081127
Connection rating (W) :	1000
Current (A) :	10
Voltage (V) :	220-240
Frequency (Hz) :	50
Approval certificates :	CE, VDE
Capacity cotton (kg) - NEW (2010/30/EC) :	9.0
Standard cotton programme :	Cotton cupboard dry
Energy efficiency class (2010/30/EC) :	A++
Energy consumption electric dryer, full load - NEW (2010/30/EC) :	1.97
Standard cotton programme time at full load (min) :	162
Energy consumption electric dryer, partial load - NEW (2010/30/EC) (kWh) :	1.16
Standard cotton programme time at partial load (min) :	104
Weighted annual energy consumption, electric dryer - NEW (2010/30/EC) (kWh) :	243.0
Weighted programme time (min) :	129
Average condensation efficiency full load (%) :	91
Average condensation efficiency partial load (%) :	91
Weighted condensation efficiency (%) :	91


Optional accessories

WMZ20500 : Platform with pull-out

WTZ27410 : Stacking kit



4 242005 081127

Serie | 6 Tumble Dryer

WTWH7660GB

SelfCleaning Condenser Condenser tumble dryer with heat pump

Our Home Connect heatpump dryer with SelfCleaning Condenser. Great performance guaranteed with constantly low energy consumption of A++

Performance

- Energy Efficiency Class: A++ at a range of energy efficiency classes from A+++ to D
- Capacity: 9 kg
- Energy consumption 243.0 kWh per year, based on 160 drying cycles of the standard cotton programme at full and partial load, and the consumption of the low-power modes. Actual energy consumption per cycle will depend on how the appliance is used
- Energy consumption of the standard cotton programme at full load 1.97 kWh and energy consumption of the standard cotton programme at half load 1.16 kWh
- The programme Cottons cupboard dry used at full and partial load is the standard drying programme to which the information in the label and the fiche relates, this programme is suitable for drying normal wet cotton laundry and is the most efficient programme in terms of energy consumption for cotton.
- Programme time of the standard cotton programme at full load 162 min and programme time of the standard cotton programme at partial load 104 min.
- Weighted programme time of the standard cotton programme at full and partial load: 129 min.
- Condensation efficiency class A on a scale from G (least efficient) to A (most efficient).
- Average condensation efficiency of the standard cotton programme at full load 91 % and average condensation efficiency of the standard cotton programme at partial load 91 %.
- Weighted condensation efficiency for the standard cotton programme at full and partial load: 91 %.
- Power consumption in off-mode 0.1 W and in left-on mode 0.1 W
- Duration of left-on mode: 30 min
- Noise level: 64 dB (A) re 1 pW

Programmes/functions

- Fully electronic control dial for sensor programmes and timed programmes
- Special programmes: Woollens, Mixed Load, Towels, Duvet, Timed programme warm, Timed programme cold, Cottons,

Easy-Care, Allergy +, Sportswear, Down, Super Quick 40, Shirts/blouses, Delicates

- Touch control buttons: Buzzer, Reduced ironing, start/pause, Drying aim, Child lock 3 sec., Reduced ironing 60 mins, Reduced ironing 120 mins, My favorite, Remote Start, 24 h end Time Delay

Key features

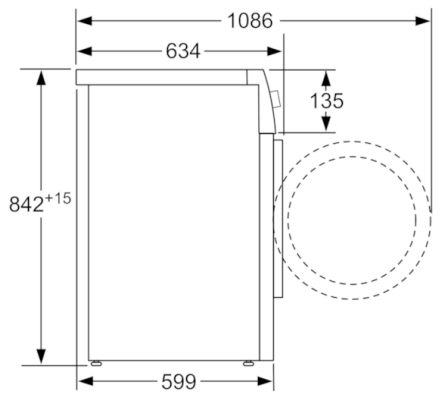
- Home Connect: Remote Monitoring and Control, Energy Management Photovoltaic
- ActiveAir Technology
- Heat Pump with self cleaning condenser
- Heat pump technology with climate friendly cooling agent
- Sensitive drying: large stainless steel drum with textile care and revolution drying system
- AntiVibration design: for greater stability and quietness

Additional features

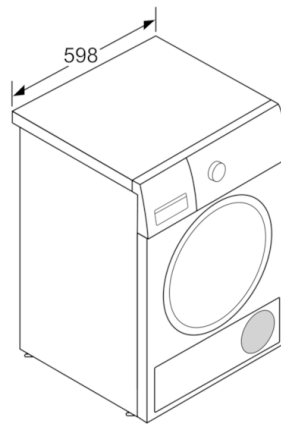
- Large touch-LED-display for Buzzer, Reduced ironing, end Time Delay, start/pause, Drying aim, Child lock 3 sec., Reduced ironing 60 mins, Reduced ironing 120 mins, My favorite
- Inclined ergonomic control panel, slide-under at height of 85 cm
- Jog dial
- Anti crease cycle 120 minutes at the end of the programme
- Drum interior light
- Full container tank indicator
- Child lock
- Buzzer to indicate the end of cycle
- Door hinge: right-hand
- Container for condensed water

Technical Information

- Dimensions (H X W X D): 84.2 x 59.7 x 59.9 cm
- slide-under installation
- Glass door, silver-white

Serie | 6 Tumble Dryer**WTWH7660GB****SelfCleaning Condenser****Condenser tumble dryer with heat pump**

measurements in mm



measurements in mm