



### Great results in half the time

The 6000 CombiQuick® CombiOven uses hot air circulation with microwave technology to provide cooking in half the time without sacrificing flavour. You can also grill, roast and bake – all in one.

## Product Benefits & Features

### Microwave with Hot Air. For better and faster heating



Microwave with Hot Air provides dual functions – microwave and convection cooking, which merges hot air circulation and advanced microwave technology with turntable so your food is cooked faster and more evenly.

### EXPLore. Easy access to your oven's functions



EXPLore allows you to effortlessly control the settings of your oven to know what's happening with your cooking. With the LED display and WiFi connectivity, you can easily see the time, temperature and progress of your dish.

### Assisted Cooking. Extra help when cooking

The AssistedCooking function gives you intuitive access to a range of dishes where the oven adjusts automatically. Or the time and temperature can be fully controlled by you.

### Get connected. And change the way you cook



Connectivity lets you control your oven from anywhere with our app. Get tips and improve cooking techniques with app-controlled functions at your fingertips.

### Cooked Evenly everywhere



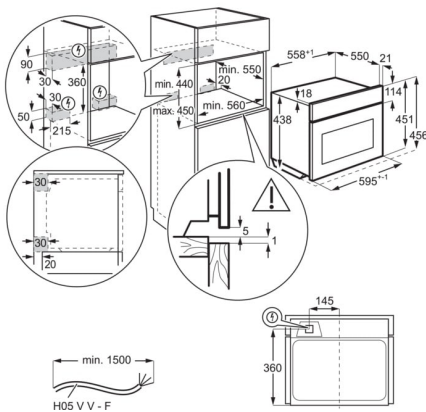
The clever Hot Air convection system ensures hot air circulates evenly throughout the oven cavity, for a cooking process that is faster, and more energy efficient.

- Compact built-in oven
- Oven with integrated microwave function
- Microwave power: 1000 Watt
- Oven cooking functions: Bottom heat (menu), Conventional cooking + microwave (menu), Conventional/Traditional cooking, Defrost, Frozen food (menu), Grill (menu), Grill + microwave (menu), Microwave, Pizza setting, Reheating, True fan cooking, True fan cooking + Microwave, Turbo grilling, Turbo grilling + Microwave
- Oven cavity with 2 baking levels
- Fast oven heat up function
- Automatic temperature proposal
- Electronic temperature regulation
- Residual heat indication
- Automatic safety switch off oven function
- Retractable knobs

#### Product Specification

Installation type	Built_In	Hob control - Right Front	No
Product Typology	BI_Oven_Electric	Hob control - Right Rear	No
Product Classification	Statement	Thermostat	Top
Type	Compact	Electronic type	LUX
Installation	BI	Electronic Oven Control	LUX_GN_CMWST_3kW_con_A +_S00010217
Size, cm	46x60		
Oven Energy	Electrical		
Cooking	Microwave/Multifunction		
Cleaning main oven	Clean Enamel		
Cleaning second oven	No		
N° of cavities	1		
Design family	AEG Zukunft		
Main colour	Black		
Control Panel material	Glass Layered On Metal Frame Infinity		
Door type	Full Glass, Smiley cut-out small, Standard mesh		
Handle Variant Name	Metal		
Door type second oven	No		
Drawer	No		
Door hinges	Drop Down Screwed		
Control lamps	No		
Hob control	No		
Hob control - Left Front	No		
Hob control - Left Rear	No		

PSGBOV230DE00001



PSGBOV230DE00002

