



Exact heat for impeccable results

Induction helps you master any cooking technique faster and can even boil water in under 90 seconds. The heat adjustments are so subtle that they help you produce the finest tastes and textures every time you cook.

Fast, precise and controllable, Induction cooking is becoming an increasingly popular choice for the discerning chef.

Product Benefits & Features



Your perfect cooking partner

Induction helps you master any cooking technique faster. It heats quicker than other types of hobs so you can get on with your cooking straight away. Quick heat adjustments mean you can produce the finest tastes and textures when you cook.

- Automax function
- Powerful booster
- 15 stage digital power level displays
- Child safety control lock
- Control lock
- Auto safety switch off
- Front left: 1 large induction zone with booster
- Front right: 1 small induction zone with booster
- Rear left: 1 medium induction zone with booster
- Rear right: 1 medium induction zone with booster

Hob2Hood®: The hands-free hood

The Hob2Hood® function connects the hob and the hood. The cooker hood automatically adjusts the fan speed based on the heat, without lifting a finger. For powerful extraction when searing. And quieter extraction when simmering.



Less steps and more control with Direct Touch Controls

The Direct Touch Controls user interface uses intuitive numbers 1-14 so you can set the right temperature right away without having to toggle through the plus and minus buttons.



Quicker heat for extra speed with PowerBoost

A blast of fast. No more waiting around for pots to boil. The PowerBoost function gives you an instant burst of heat. PowerBoost is perfect for tasks that require you to boil a large pot of water quickly.

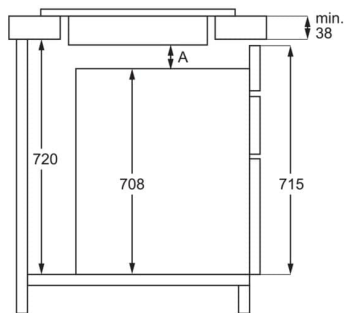
Hob timer. Built for precision

The built in hob timer can be set up to one hour, and will automatically power the hob down when it elapses. For effortlessly precise results.

Product Specification

Plug	No
Hobs Dimensions	590x520
Aperture dimensions HxWxD in mm	44x560x490
Radius cutting	5
Total electricity loading, W	7350
Hob safety	Automatic Switch Off
Left Front - Power/Diameter	2300/3700W/210mm
Rear - Power/Diameter	1800/2800W/180mm
Right front - Power/Diameter	1400/2500W/145mm
Right rear - Power/Diameter	1800/2800W/180mm
Gas supply: natural gas	No
Gas replacement	No
Gas replacement	No
Residual heat indicator	7 Segments
Led Colour	Red
ProdPartCode	All Open
Standby power, W	0.49

PSGBHO210DE0000J



A = min. 6mm
only for AEG, Electrolux, Zanussi appliances

A = min. 12mm
all other brands

PSGBHO220DE0002K

