



Oven with microwave

OCM64BSH

Craft

Series 6

Installation: Built-in

Black stainless steel

Combined compact microwave oven

Oven volume: 50 L

Partially extendable telescopic guides on one level

Construction and performance

- Oven type: Combined compact microwave oven
- Max. oven temperature: 250 °C
- Temperature probe: Yes
- Technology of producing microwaves: Stirrer technology

Use and flexibility

- Oven illumination: Above and on side
- Number of baking levels: 4
- Telescopic slides: Partially extendable telescopic guides on one level
- Grill rack: 1 pcs
- Baking trays: 1 x glass tray, Middle baking pan
- Rotating grill spit: No
- Door hinge: Soft opening and closing

Interaction and control

- Buttons: Large and tactile
- ConnectLife: Monitoring and control in the palm of your hand: ConnectLife

Programs

- Heating type: Circular heater
- Heating type: ECO Hot Air
- Heating type: Dry Hot Air
- Heating type: Lower and upper heater
- Heating type: Upper heater 70% and lower heater 30%
- Heating type: Upper heater 30% and lower heater 70%
- Heating type: Lower and upper heater with ventilator
- Heating type: Upper heater with circular heater and fan
- Heating type: Lower heater with circular heater and fan
- Heating type: Large infra heater
- Heating type: Large infra heater with fan
- Heating type: Lower heater
- Heating type: Microwaves
- Heating type: Microwave and hot air
- Heating type: Large grill, fan and microwaves
- Heating type: Upper heater, lower heater, fan and microwaves
- Heating type: Upper heater, hot air and microwaves
- Heating type: MicrowaveClean
- Heating type: Defrost
- Heating type: Microwave reheating
- Heating type: KeepWarm
- Heating type: WarmPlate
- Heating type: Hot Stones
- Heating type: Oshibori
- Heating type: Sterilising/Disinfection
- Heating type: Drying
- Heating type: Drying herbs
- Heating type: Canning

Design and integration

- Door material: Ceramic glass

- Colour of the product: Black stainless steel
- Support feet: 4 adjustable feet
- Min. niche width: 560 mm
- Min. niche height: 450 mm
- Depth (incl. wall spacing): 550 mm

Safety and maintenance

- Ventilator system: Active cooling of oven and door glass
- Door surface temperature: Cool Door
- Cleanability door glasses: No

Technical data

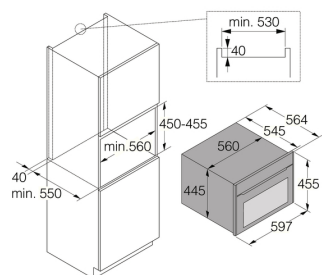
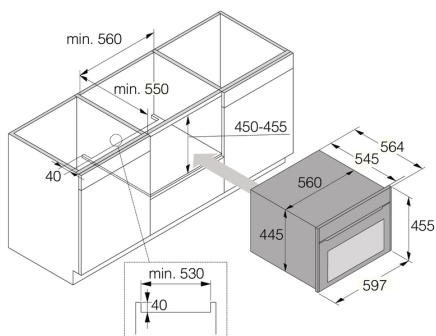
- Consumption in standby mode: 0.41 W
- Voltage (V): 220-240 V
- Fuse: 16
- Frequency: 50-60 Hz
- Time needed for the appliance to reach the applicable low power mode or condition: 15 min
- Power consumption in networked standby (status display excluded - WiFi enabled): 2 W
- Power consumption in standby mode - status display excluded: 0.5 W

Dimensions

- Height: 458 mm
- Width: 597 mm
- Depth: 564 mm
- Length of electrical cord: 2000 mm
- Net weight: 36 kg

Logistic information

- Packaging height: 520 mm
- Packaging width: 640 mm
- Packaging depth: 695 mm
- Gross weight: 38.9 kg
- Product code: 745847
- EAN code: 3838782957512



BIG24 Frame 45cm non-pyro

