

Series 8, Built-in compact oven with microwave function, 60 x 45 cm, Stainless steel CMG633BS1B



The compact oven with microwave function: enables you to achieve perfect baking and roasting results very quickly.

- **Microwave function:** for quick warming up or for fast cooking in combination with hotair.
- **4D hotair:** even heat distribution for perfect results.
- **AutoPilot 14:** every dish is a perfect success thanks to 14 pre-set automatic programmes.
- **TFT display control:** easy-to-use thanks to the control ring with full text and symbols.
- **LED lighting:** perfect illumination of foods with minimum energy consumption.

Technical Data

Type of micro-wave oven:MW-Combi
Type of control:Electronic
Dimensions:455 x 594 x 548 mm
Cavity dimensions:237.0 x 480 x 392.0 mm
Length of electrical supply cord:150.0 cm
Net weight:34.6 kg
Gross weight:36.9 kg
EAN code:4242002807409
Maximum micro-wave power:900 W
Connection rating:3600 W
Fuse protection:16 A
Voltage:220-240 V
Frequency:60; 50 Hz
Plug type:no plug (electrical connection by electrician)
Included accessories:1 x combination grid, 1 x universal pan

Included accessories

1 x combination grid, 1 x universal pan

Optional accessories

HEZ327000 Pizza stone, HEZ530000 Half tray, HEZ531010 Baking tray, non-stick ceramic coated, HEZ532010 Universal pan, non-stick ceramic coated, HEZ617000 Pizza pan, anthracite enamelled, HEZ625071 Grill tray, anthracite enamelled, HEZ631070 Baking tray, anthracite enamelled, HEZ632070 Multipurpose pan, anthracite enamelled, HEZ634080 Baking and roasting grid (microwave), HEZ636000 Glass pan, HEZ660050 Cover Strip, HEZ660060 Strip, HEZ664000 Baking and roasting grid (steam), HEZ915003 Glass roasting dish, 5,4 L



Series 8, Built-in compact oven with microwave function, 60 x 45 cm, Stainless steel CMG633BS1B

The compact oven with microwave function: enables you to achieve perfect baking and roasting results very quickly.

Design

- 2.5"-TFT colour and text display with direct select buttons
- Drop down door, SoftClose, SoftOpen
- Bosch control wheel
- Straight bar handle

Features

- Control panel lock
- Automatic safety switch off Residual heat indicator Start button Door contact switch
- Digital temperature display with proposal
- Actual temperature display Heating-up indicator AutoPilot
- Intelligent microwave inverter technology: For optimised results maximum output power will be regulated to 600 W when used in longer operation for gentler cooking.
- AutoPilot, 14
- Electronic clock timer
- LED light, Light on/off when oven door opened/closed
- 3 shelf positions
- Integral cooling fan

Cleaning

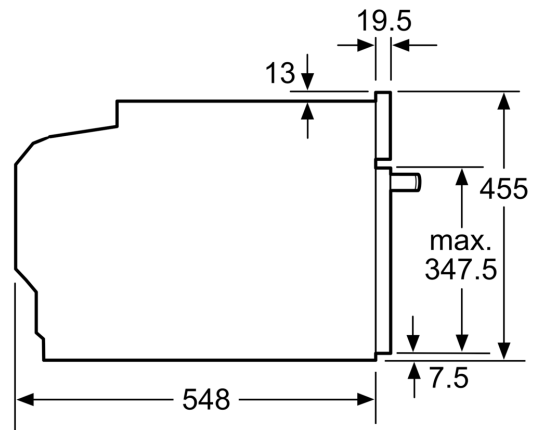
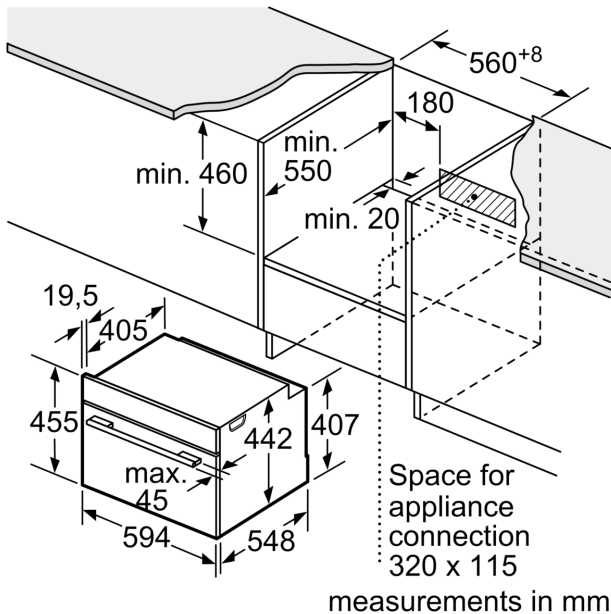
Programmes/functions

- Compact oven with microwave with Multifunction oven with 6 cooking functions: heating methods: 4D Hotair, Hotair Gentle, Hotair grilling, full width variable grill, half width grill, plate warming
- Additional heating methods with microwave: Microwave, Combi microwave constant
- Max. Power: 900 W; 5 Microwave power settings (90 W,180 W,360 W,600 W,900 W)
- Fast pre-heating function
- 1 x universal pan, 1 x combination grid

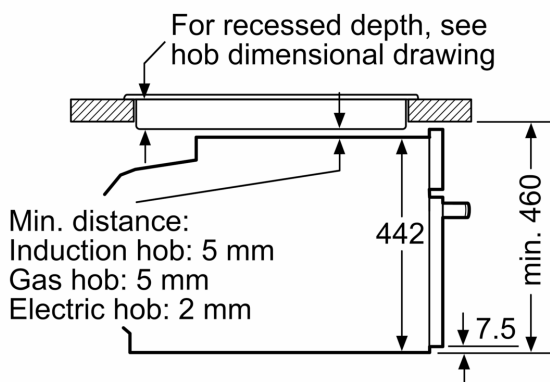
Performance/technical information

- Cavity volume: 45 litre capacity
- Power cord length 150 cm Cable length
- Total connected load electric: 3.6 KW
- Nominal voltage: 220 - 240 V
- Appliance dimension (hxwxd): 455 mm x 594 mm x 548 mm
- Niche dimension (hxwxd): 450 mm - 455 mm x 560 mm - 568 mm x 550 mm
- Please refer to the dimensions provided in the installation manual

**Series 8, Built-in compact oven with
microwave function, 60 x 45 cm,
Stainless steel
CMG633BS1B**



Installation with a hob.



If the compact appliance will be installed underneath a hob, the following worktop thicknesses (including substructure if necessary) must be taken into account.

Hob type	min. worktop thickness	
	fitted	flush
Induction hob	42 mm	43 mm
Full surface Induction hob	52 mm	53 mm
Gas hob	32 mm	43 mm
Electric hob	32 mm	35 mm

