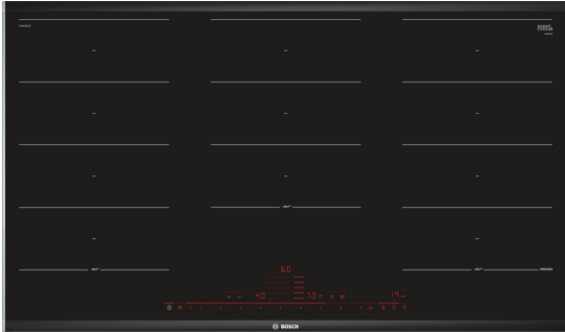


## Series 8, Induction hob, 90 cm, Black, PXX975DC1E



### Optional accessories

- HEZ390012 : Steaming Rack for Stainless Steel roaste
- HEZ390512 : Teppan Yaki (large)
- HEZ390522 : Griddle Plate
- HZ390011 : Stainless Steel roaster with glas lid

## The FlexInduction hob allows you to place multiple pots and pans or large cookware anywhere on the flexible cooking zone.

- **DirectSelect Premium:** spacious and intuitive touch interface.
- **FlexInduction:** more flexibility on your hob for large pots and pans.
- **PerfectFry:** no more worries about scorching.
- **MoveMode:** the automatic setting of cooking levels allows fast boiling on the front and simmering on the rear cooking zone.
- **PowerBoost:** up to 50% more power for faster heating on your induction hob.

### Technical Data

Product name/family : Cooking zone ceramic

Construction type : Built-in

Energy input : Electric

Total number of positions that can be used at the same time : 5

Min. required niche size for installation (HxWxD) : 51 x 880-880 x 490-500 mm

Width of the appliance : 916 mm

Dimensions : 51 x 916 x 527 mm

Dimensions of the packed product (HxWxD) : 126 x 1073 x 603 mm

Net weight : 18.9 kg

Gross weight : 22.7 kg

Residual heat indicator : Separate

Location of control panel : Hob front

Basic surface material : Ceramic

Color of surface : Alu, brushed, Black

Length of electrical supply cord : 110.0 cm

EAN code : 4242002861753

Voltage : 220-240 V

Frequency : 50; 60 Hz



4 242002 861753

## Series 8, Induction hob, 90 cm, Black, PXX975DC1E

**The FlexInduction hob allows you to place multiple pots and pans or large cookware anywhere on the flexible cooking zone.**

- 90 cm: space for 5 pots or pans.

### Flexibility of cooking zones

- 3 x flexInduction zones: use cookware of any shape or size anywhere within the 40cm long zone.
- Cooking zone front left: 240 mm, 200 mm, 2.2 KW (max. power 3.7 KW)
- Cooking zone rear left: 240 mm, 200 mm, 2.2 KW (max. power 3.7 KW)
- Cooking zone middle: 240 mm, 300 mm, 2.6 KW (max. power 3.7 KW)
- Cooking zone rear right: 240 mm, 200 mm, 2.2 KW (max. power 3.7 KW)
- Cooking zone front right: 240 mm, 200 mm, 2.2 KW (max. power 3.7 KW)

### Usage convenience

- DirectSelect Premium touch control: directly control the power on the extra large illuminated touch bar (invisible when switched off).
- Variable 17-stage power settings for each zone: precisely adapt the heat with 17 power levels (9 main levels and 8 intermediate levels).
- Keep warm function: keep dishes warm at preset low power level.
- Timer for all zones
  - : switches off the cooking zone at the end of the time set (e.g. for boiled eggs).
- Timer - shows how long the cooktop is in use
  - : an alarm sounds at the end of the time set (e.g. for pasta).
- Count up timer per cooktop
  - : shows how much time has passed since starting the timer (e.g. for potatoes).

### Time saving & efficiency

- PowerBoost function for all zones
  - : boil water faster thanks to 50% more energy than at the highest standard level.
- PanBoost: heat up pans faster than at the highest standard level while protecting the pan coating.
- MoveMode (3 levels): increase or decrease the power level simply by moving the pot forwards or backwards.
- QuickStart function: when switching on, the hob automatically selects the cooking zone with cookware (when placed on a zone whilst the hob is off).
- ReStart function: in case of unintentional switch-off, this feature restores all previous settings by switching on the hob again within 4 seconds.

### Cooking assistance

- PerfectFry sensor with 5 temperature settings: prevents overcooking with the automatic temperature regulation of the integrated sensor.

### Design

- Profile trim (front facette with side trim)

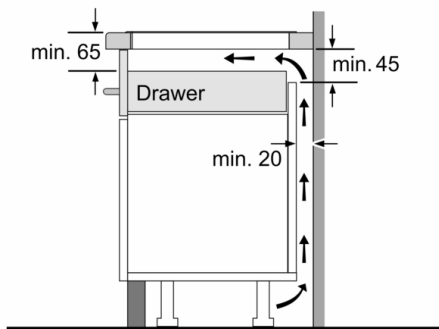
### Safety

- 2 stage residual heat indicator for each zone: indicates which cooking zones are still hot or warm.
- Control panel lock: prevent unintended activation of the hob.
- Freeze function: wipe overboiled liquids without unintentionally changing settings (blocking all touch buttons for 30 seconds).
- Main on/off switch: switch off all cooking zones at the touch of a button.
- Automatic safety shut off: for safety reasons, heating stops after a preset time if not used (possible to customise).
- Energy consumption display: shows the electricity consumption of the last cooking process.

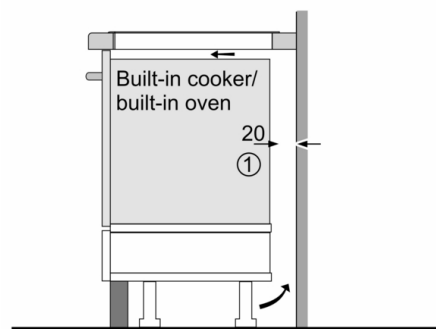
### Installation

- Dimensions of the product (HxWxD mm): 51 x 916 x 527
- Required niche size for installation (HxWxD mm) : 51 x 880 x (490 - 500)
- Min. worktop thickness: 16 mm
- Connected load: 11.1 KW
- Power management options for 16A, 13A or 10A connection: limit the maximum power if needed (depends on fuse protection of electric installation).
- Power cord: 1.1 m, Cable included

**Series 8, Induction hob, 90 cm, Black, PXX975DC1E**

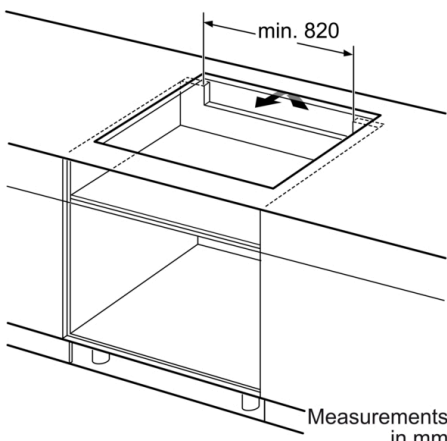


Measurements in mm

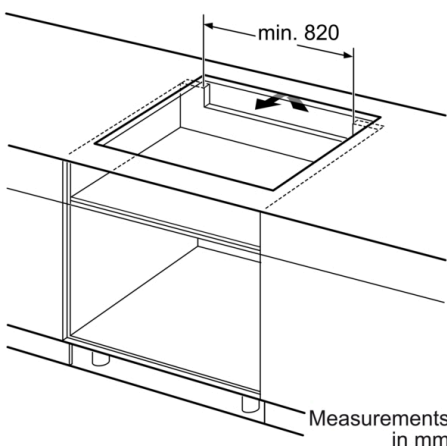
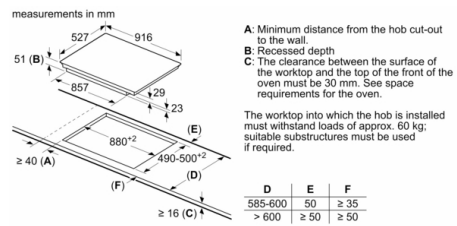


① Ventilation gap must be present.

Measurements in mm



Measurements in mm



Measurements in mm