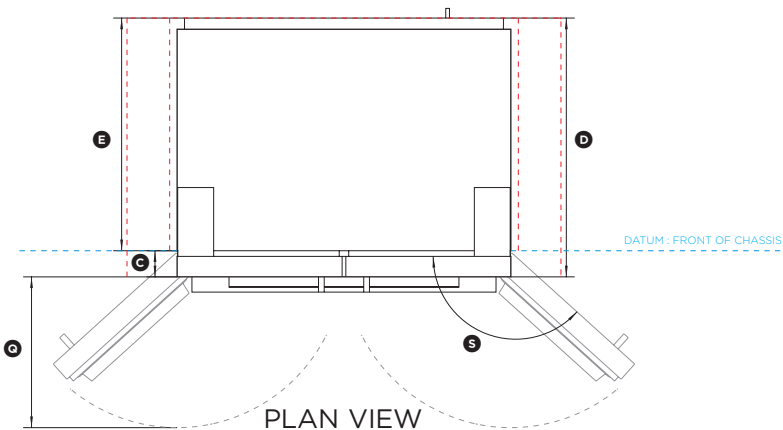
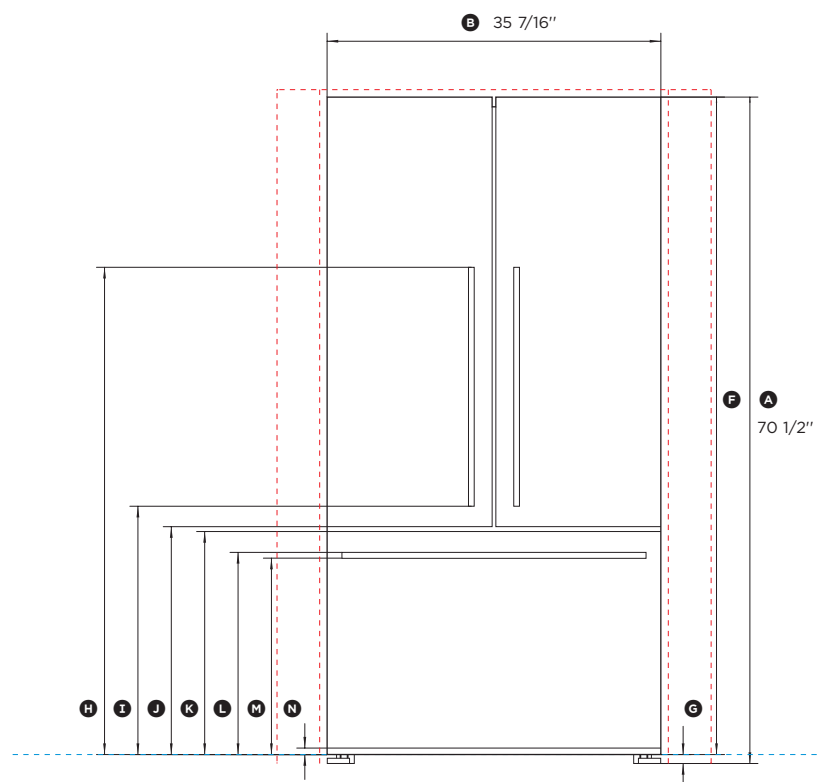


DATA SHEET

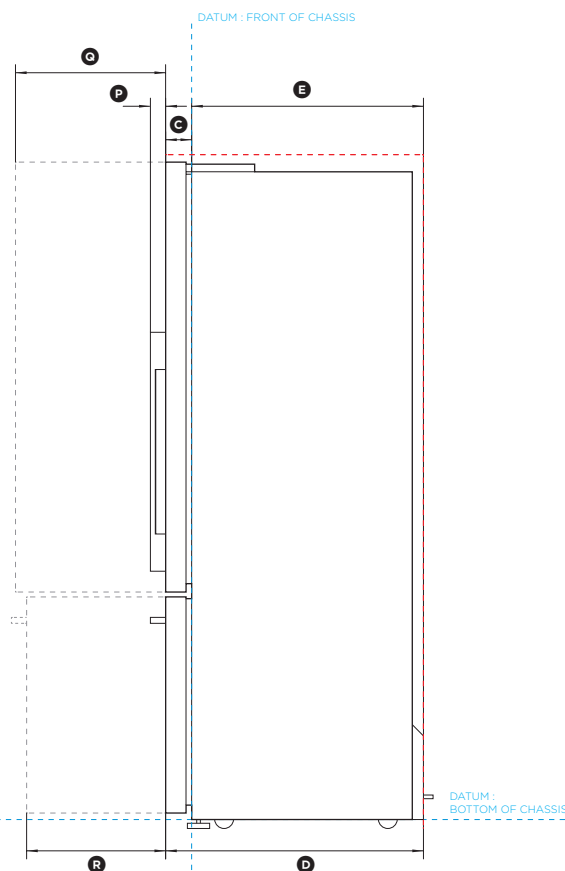
36" ACTIVEMART™ FRIDGE - FRENCH DOOR



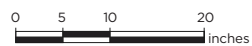
PLAN VIEW



FRONT VIEW



PROFILE VIEW



Model no:

- RF610ADX4, RF610ADX5
 - RF610ADW4, RF610ADW5
 - RF540ADX4, RF540ADX5
 - RF201ADX4, RF201ADX5, RF201ADW5
- (refer page 2 for metric measurements)

| Product Dimensions | in |
|---|-----------|
| Ⓐ Overall height* of fridge | 70 1/2" |
| Ⓑ Overall width of fridge | 35 7/16" |
| Ⓒ Depth of fridge door and gasket (excludes handle) | 2 3/4" |
| Ⓓ Depth of fridge door and chassis (excludes handle) | 27 3/8" |
| Ⓔ Depth of fridge chassis (does not include fridge door) | 24 5/8" |
| Ⓕ Height from bottom datum to top of fridge door | 69 1/2" |
| Ⓖ Height of feet (adjustable) | 15/16" |
| Ⓗ Height from bottom datum to top of top handle | 52 1/2" |
| Ⓘ Height from bottom datum to bottom of top handle | 27 3/16" |
| Ⓚ Height from bottom datum to bottom of top door | 25 1/16" |
| Ⓛ Height from bottom datum to top of bottom door | 24 1/2" |
| Ⓜ Height from bottom datum to top of bottom handle | 22 5/16" |
| Ⓝ Height from bottom datum to bottom of bottom handle | 21 11/16" |
| Ⓟ Height from bottom datum to bottom of bottom door | 5/8" |
| Ⓠ Width of handle | 5/8" |
| Ⓡ Depth of handle (measured from front of door) | 1 5/8" |
| Ⓢ Depth of door (open at 90°) (measured from front of door) | 15 15/16" |
| Ⓣ Depth of drawer (open) (measured from front of drawer) excluding handle | 14 3/4" |
| Ⓤ Rotation of door (open) (measured from front of door) | 138° |

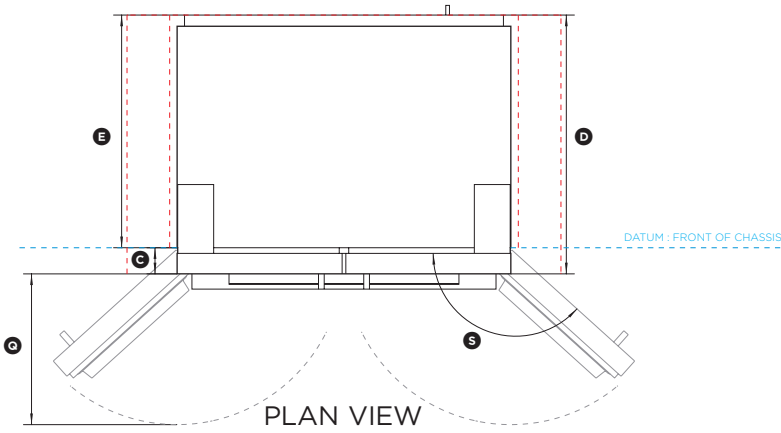
* Includes mounted feet

| Minimum Clearances | in |
|---|---------|
| Minimum height of cavity | 71 1/4" |
| Minimum side clearance installed flush with chassis | 13/16" |
| Side clearance (hinge side) - installed flush with door - full rotation | 5 5/16" |
| Rear clearance (including evaporator tray) | 1 3/16" |

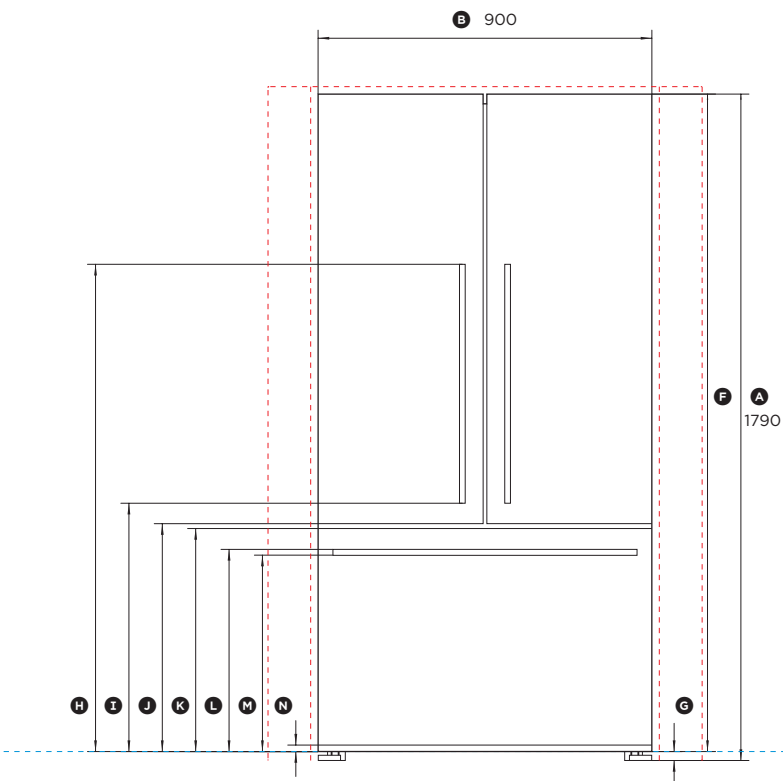
INDICATES PRODUCT DATUM -----
 INDICATES CABINERY CLEARANCES - - - - -

DATE: 23.10.2015

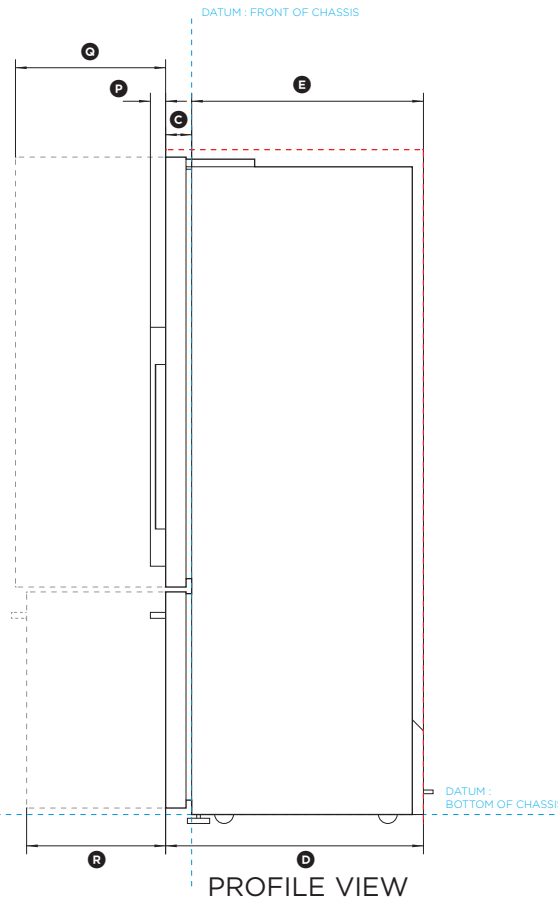
IMPORTANT NOTE: Throughout this guide, dimensions may vary by ±2mm (3/32"). Please read the installation manual for detailed information on installing the product. www.fisherpaykel.com



PLAN VIEW



FRONT VIEW



PROFILE VIEW

Model no:

- RF610ADX4, RF610ADX5
 - RF610ADW4, RF610ADW5
 - RF540ADX4, RF540ADX5
 - RF201ADX4, RF201ADX5, RF201ADW5
- (refer page 1 for imperial measurements)

| Product Dimensions | mm |
|---|------|
| Ⓐ Overall height* of fridge | 1790 |
| Ⓑ Overall width of fridge | 900 |
| Ⓒ Depth of fridge door and gasket (excludes handle) | 70 |
| Ⓓ Depth of fridge door and chassis (excludes handle) | 695 |
| Ⓔ Depth of fridge chassis (does not include fridge door) | 625 |
| Ⓕ Height from bottom datum to top of fridge door | 1766 |
| Ⓖ Height of feet (adjustable) | 24 |
| Ⓗ Height from bottom datum to top of top handle | 1333 |
| Ⓘ Height from bottom datum to bottom of top handle | 691 |
| Ⓚ Height from bottom datum to bottom of top door | 636 |
| Ⓛ Height from bottom datum to top of bottom door | 622 |
| Ⓜ Height from bottom datum to top of bottom handle | 567 |
| Ⓝ Height from bottom datum to bottom of bottom handle | 551 |
| Ⓞ Height from bottom datum to bottom of bottom door | 16 |
| Ⓟ Width of handle | 16 |
| Ⓠ Depth of handle (measured from front of door) | 41 |
| Ⓡ Depth of door (open at 90°) (measured from front of door) | 405 |
| Ⓢ Depth of drawer (open) (measured from front of drawer) excluding handle | 375 |
| Ⓣ Rotation of door (open) (measured from front of door) | 138° |
| * Includes mounted feet | |
| Minimum Clearances | mm |
| Minimum height of cavity | 1810 |
| Minimum side clearance installed flush with chassis | 20 |
| Side clearance (hinge side) - installed flush with door - full rotation | 135 |
| Rear clearance (including evaporator tray) | 30 |

INDICATES PRODUCT DATUM -----
 INDICATES CABINERY CLEARANCES - - - - -

DATE: 23.10.2015

IMPORTANT NOTE: Throughout this guide, dimensions may vary by ±2mm (3/32"). Please read the installation manual for detailed information on installing the product. www.fisherpaykel.com