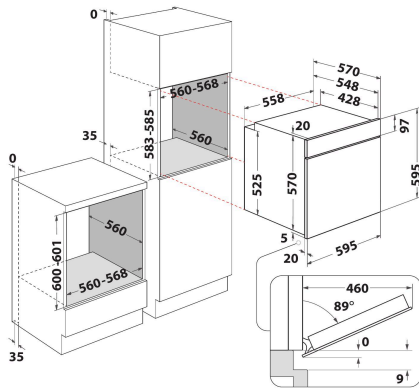


# H0 278P X UK

12NC: F170463

GTIN (EAN) code: 5054645704637

**Hotpoint**



## MAIN FEATURES

|                                       |                      |
|---------------------------------------|----------------------|
| Product group                         | Oven                 |
| Commercial code                       | H0 278P X UK         |
| Main colour of product                | Inox                 |
| Construction type                     | Built-in             |
| Type of control                       | Electronic           |
| Type of control settings              | -                    |
| Are any hobs controls integrated?     | No                   |
| Which kind of hobs can be controlled? | N/A                  |
| Automatic programmes                  | Yes                  |
| Current (A)                           | 13                   |
| Voltage (V)                           | 220-240              |
| Frequency (Hz)                        | 50/60                |
| Length of electrical supply cord (cm) | 100                  |
| Plug type                             | UK                   |
| Depth with open door 90 degree (mm)   | -                    |
| Height of the product                 | 595                  |
| Width of the product                  | 595                  |
| Depth of the product                  | 551                  |
| Minimum niche height                  | 0                    |
| Minimum niche width                   | 0                    |
| Niche depth                           | 0                    |
| Net weight (kg)                       | 27.1                 |
| Usable volume (of cavity)             | 71                   |
| Integrated Cleaning system            | Pyrolytic+Hydrolytic |
| Grids of the cavity                   | 2                    |
| Trays                                 | 1                    |

## TECHNICAL FEATURES

|   |            |
|---|------------|
| Timer                                     | Yes        |
| Time control                              | Electronic |
| Time-setting options                      | Stop       |
| Safety device                             | -          |
| Interior light                            | Yes        |
| Number of interior lights of the cavity   | 1          |
| Position of interior lights of the cavity | Front left |
| Oven guides of the cavity                 | Grids      |
| Probe of the cavity                       | No         |

## PERFORMANCES

|   |             |
|---|-------------|
| Energy input  | Electric    |
| Type of energy of the cavity  | Electricity |
| Energy efficiency class - NEW (2010/30/EU)                            | A++         |
| Energy consumption per cycle conventional - NEW (2010/30/EU)          | 0.52        |
| Energy consumption per cycle forced air convection - NEW (2010/30/EU) | 0.73        |