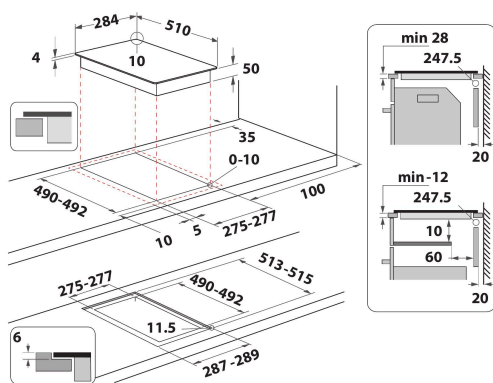
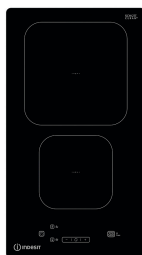


# IS 19Q30 NE

12NC: F159214

GTIN (EAN) code: 8050147592144

**Indesit**  
Life proof.



## MAIN FEATURES

Product group	Hob
Construction type	Built-in
Type of control	Electronic
Type of control settings	-
Number of gas burners	0
Number of electric cooking zones	2
Number of electric plates	0
Number of radiant plates	0
Number of halogen plates	0
Number of induction plates	2
Number of electric warming zones	0
Location of control panel	Front
Basic surface material	Ceramic Glass
Main colour of product	Black
Electrical connection rating (W)	3700
Gas connection rating (W)	0
Gas type	N/A
Current (A)	16
Voltage (V)	220-240
Frequency (Hz)	50/60
Length of Electrical Supply Cord (cm)	120
Plug type	No
Gas connection	N/A
Width of the product	284
Height of the product	54
Depth of the product	510
Minimum niche height	28
Minimum niche width	275
Niche depth	490
Net weight (kg)	5.3
Automatic programmes	Yes

## TECHNICAL FEATURES

Power on indicator	Yes
Number of indicators	2
Type of regulation	N/A
Type of lid	Without
Residual heat indicator	Separate
Main on/off switch	Yes
Safety device	-
Timer	Yes

## PERFORMANCES

Energy input	Electric
--------------	----------