

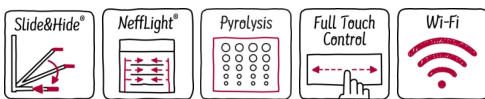
N 90, Built-in oven, 60 x 60 cm, Stainless steel
B58CT68H0B



COOKING PASSION SINCE 1877



A



Built-in oven with Slide&Hide® - unrestricted access to the oven interior

- ✓ Slide&Hide® - unrestricted access in the oven interior and easy handling due to rotating handle
- ✓ NEFFLight® - illumination of all four oven levels, even with the door shut
- ✓ Dual cleaning options: Pyrolytic cleaning programmes - just let the oven interior clean itself. EasyClean - the quick and easy option for day to day maintenance.
- ✓ FullTouch Control - simple, precise oven control by fingertip touch on the smooth surface of the high resolution TFT colour display.
- ✓ Home Connect – rediscover your kitchen with our connected home appliances, from wherever you are.

Features

Technical Data

Color / Material Front : Stainless steel
 Construction type : Built-in
 Integrated Cleaning system : Pyrolytic+Hydrolytic
 Min. required niche size for installation (HxWxD) : 585-595 x 560-568 x 550 mm
 Dimensions : 595 x 596 x 548 mm
 Dimensions of the packed product (HxWxD) : 670 x 690 x 660 mm
 Control Panel Material : Glass
 Door Material : Glass
 Net weight : 42.0 kg
 Usable volume of cavity : 71 l
 Cooking method : , 4D Hotair, Bottom heat, Bread Baking Setting, Conventional heat, Defrost, Dough proving, Full width grill, Half width grill, Hot Air-Eco, Hot air grilling, low temperature cooking, Pizza setting, pre-heating, warming
 Oven control : electronic
 Number of interior lights : 3
 Length of electrical supply cord : 120.0 cm
 EAN code : 4242004236085
 Number of cavities (2010/30/EC) : 1
 Energy efficiency rating : A
 Energy consumption per cycle conventional (2010/30/EC) : 0.90 kWh/cycle
 Energy consumption per cycle forced air convection (2010/30/EC) : 0.74 kWh/cycle
 Energy efficiency index (2010/30/EC) : 87.1 %
 Connection rating : 3450 W
 Fuse protection : 16 A
 Voltage : 220-240 V
 Frequency : 50; 60 Hz
 Plug type : no plug (electrical connection by electrician)
 Included accessories : 1 x combination grid, 1 x universal pan

Optional accessories

Z11AB15A0 Baking tray, non-stick ceramic coated
 Z11CR10X0 Baking and roasting grid (standard)
 Z11SZ00X0 SeamlessCombination mounting kit
 Z11SZ80X0 SeamlessCombination 60 + 29cm
 Z11SZ90X0 SeamlessCombination 60 + 45cm
 Z11TC10X0 ComfortFlex Rail (1 level)
 Z12CB10A0 Baking tray, anthracite enamelled
 Z12CM10A0 Moussaka pan, anthracite enamelled



4 242004 236085

Features

Design

- 5.7" TFT colour and graphics display with FullTouch control
- Cavity inner surface: enamel anthracite
- Touch control
- Slide&Hide® with rotating handle
- We recommend you to choose complementary products within N90, in order to assure an optimal design combination of your Built-In appliances.

Features

- HomeConnect ready on WLAN
- Door lock during pyrolytic cleaning
- Control panel lock
- Automatic safety switch off
- Residual heat indicator
- Start button
- Door contact switch
- Temperature proposal
- Actual temperature display
- Heating up indicator
- Temperature probe
- MultiPoint MeatProbe
- Baking and roasting assistant
- NeffLight (2 x 20 Watt halogen lamps), LED light, On/off button
- 4 shelf positions

Cleaning

- Pyrolytic cleaning
- EasyClean
- Full glass inner door

Programmes/functions

- Oven with 15 PC heating methods: CircoTherm®, CircoTherm® Gentle, Top/bottom heat, Conventional heat Gentle, Circo-roasting, Full surface grill, Centre surface grill, CircoTherm® intensive, Bread baking, Bottom heat, Low temperature cooking, Defrost, Dough proving, Plate warming, Keep warm
- Rapid heat
- Cooling fan

Accessories

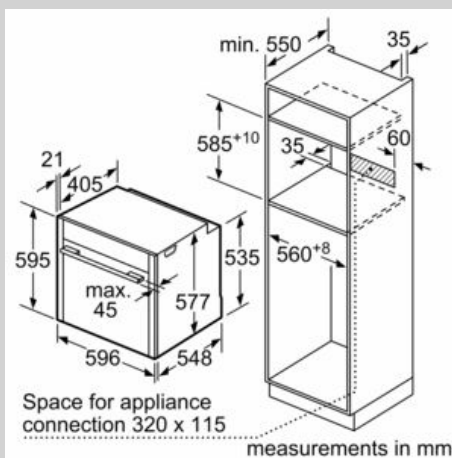
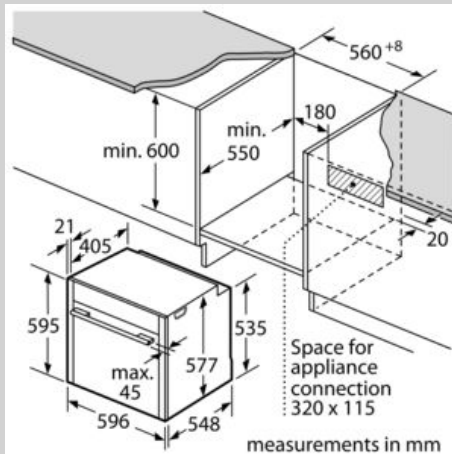
- 1-level flexible telescopic rail, full extension, Stop function
- 1 x combination grid, 1 x universal pan

Performance/technical information

- Energy efficiency rating (acc. EU Nr. 65/2014): A
- Energy consumption per cycle in conventional mode: 0.9 kWh
- Energy consumption per cycle in fan-forced convection mode: 0.74 kWh
- Number of cavities: Main cavity
- Heat source: electrical
- Cavity volume: 71 litre
- Total connected load electric: 3.45 KW
- 120 cm Cable length
- Temperature range 40 °C - 200 °C
- Nominal voltage: 220 - 240 V
- Appliance dimension (hxwxh): 595 mm x 596 mm x 548 mm
- Niche dimension (hxwxh): 585 mm - 595 mm x 560 mm - 568 mm x 550 mm
- Please refer to the dimensions provided in the installation manual

N 90, Built-in oven, 60 x 60 cm, Stainless steel
B58CT68H0B

Dimensioned drawings



If the appliance will be installed underneath a hob, the following worktop thicknesses (including substructure if necessary) must be taken into account.

Hob type	min. worktop thickness	
	fitted	flush
Induction hob	37 mm	38 mm
Full surface Induction hob	47 mm	48 mm
Gas hob	30 mm	38 mm
Electric hob	27 mm	30 mm