

N 90, BUILT-IN OVEN, 60 X 60 CM,  
GRAPHITE-GREY  
B64CS71G0B



A+

Included accessories

2 x combination grid, 1 x universal pan

Optional accessories

Z11AB15A0 Baking tray, non-stick ceramic coated, Z11AU15A0 Universal pan, non-stick ceramic coated, Z11CG10X1 AirFry & Grill Set, Z11CR10X0 Baking and roasting grid (standard), Z11GT10X3 Glass roasting dish, 5,4l, Z11GU20X0 Glasspan, Z11SZ00X0 SeamlessCombination mounting kit, Z11SZ80G0 SeamlessCombination 60 + 29cm, Z11SZ90G0 SeamlessCombination 60 + 45cm, Z12CB10A0 Baking tray, enamelled, Z12CL10A0 Lid for professional pan, enamelled, Z12CM10A0 Moussaka pan, enamelled, Z12CN10A0 Professional pan, enamelled, Z12CP10A0 Pizza pan, enamelled, Z12CU10A0 Multipurpose pan, anthracite enamelled, Z13CR10X0 Baking and roasting grid (steam), Z13CV06S0 Decor strip, Z1608CX0 Full ext rails, level independent, pyro, Z1650BE0 Half tray, Z1655CA0 Air Fry & Grill tray, Z1913X0 Baking Stone, Z19DD10X0 Steam set for ovens

Built-in oven with Slide & Hide® - an easy to handle door that gently disappears under the oven. Home Connect - control your oven via the App.

- ✓ 4,1" Full Touch TFT Display - Easy to use and intuitive menu for smart and enjoyable cooking.
- ✓ Slide & Hide® - An easy to handle door that disappears under the oven for unrestricted access.
- ✓ Circo Therm® - our smart hot-air solution for simultaneous baking and roasting on up to four levels
- ✓ Pyrolytic Self-Cleaning with Easy Clean - the duo for optimal cleaning: pyrolytic after heavy use and Easy Clean for in between
- ✓ Soft Open & Close - Self-regulating doors for a quiet oven.

Features

Technical Data

Construction type: ..... Built-in  
 Integrated Cleaning system: ..... Pyrolytic+Hydrolytic  
 Min. required niche size for installation (HxWxD): ..... 585-595 x 560-568 x 550 mm  
 Dimensions: ..... 595 x 596 x 548 mm  
 Dimensions of the packed product (HxWxD): . 675 x 690 x 660 mm  
 Control Panel Material: ..... Stainless steel  
 Door Material: ..... Glass  
 Net weight: ..... 38.1 kg  
 Usable volume of cavity: ..... 71 l  
 Cooking method: ... CircoTherm®, Bread Baking Setting, Full width grill, Dough proving setting, Hotair gentle, Half width grill, Conventional heat, Conventional heat gentle, Pizza setting, low temperature cooking, Bottom heat, Hot air grilling, pre-heating, warming  
 Oven control: ..... electronic  
 Number of interior lights: ..... 1  
 Length of electrical supply cord: ..... 120.0 cm  
 EAN code: ..... 4242004266099  
 Number of cavities (2010/30/EC): ..... 1  
 Energy efficiency rating: ..... A+  
 Energy consumption per cycle conventional (2010/30/EC): 0.87 kWh/cycle  
 Energy consumption per cycle forced air convection (2010/30/EC): ..... 0.69 kWh/cycle  
 Energy efficiency index (2010/30/EC): ..... 81.2 %  
 Connection rating: ..... 3600 W  
 Fuse protection: ..... 16 A  
 Voltage: ..... 220-240 V  
 Frequency: ..... 50; 60 Hz  
 Plug type: ..... no plug  
 (electrical connection by electrician)  
 Included accessories: ..... 2 x combination grid, 1 x universal pan



N 90, BUILT-IN OVEN, 60 X 60 CM,  
 GRAPHITE-GREY  
 B64CS71G0B

#### Features

- Oven with 14 heating methods: CircoTherm®, Top/bottom heat, Circo-roasting, Full surface grill, Centre surface grill, CircoTherm® intensive, Bread baking, Bottom heat, Low temperature cooking, Dough proving, Plate warming, Keep warm, CircoTherm® gentle, Conventional heat gentle

#### Design

- Graphite-Grey Edition
- Touch control
- Cavity inner surface: enamel anthracite

#### Features

- HomeConnect ready on WLAN
- Oven Assistant with Voice Control
- Door lock during pyrolytic cleaning
- Control panel lock Automatic safety switch off Residual heat indicator Start button Door contact switch
- Full glass inner door

#### Programmes/functions

- Temperature range 40 °C - 200 °C
- LED light, On/off button
- Electronic clock timer
- Slide&Hide® with rotating handle
- SoftClose, SoftOpen
- Quadruple glazed door glazed CoolTouch door
- 30 °C - Very low door temperature
- Temperature proposal
- Actual temperature display Heating up indicator
- cookControl Plus
- Rapid heat
- Cooling fan
- Stainless-steel fan

#### Level independent telescopic rails

- 4 shelf positions
- Available as an accessory, pyrolytic proof

#### Cleaning

- Pyrolytic cleaning
- EasyClean

#### Accessories

- 2 x combination grid, 1 x universal pan

#### Performance/technical information

- 120 cm Cable length
- Nominal voltage: 220 - 240 V
- Total connected load electric: 3.6 KW
- Energy efficiency rating (acc. EU Nr. 65/2014): A+
- Energy consumption per cycle in conventional mode:0.87 kWh
- Energy consumption per cycle in fan-forced convection mode:0.69 kWh
- Number of cavities: Main cavity Heat source: electrical Cavity

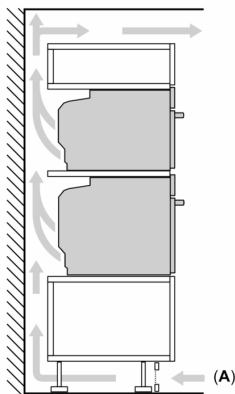
volume:71 litre

- Appliance dimension (hxwxd): 595 mm x 596 mm x 548 mm
- Niche dimension (hxwxd): 585 mm - 595 mm x 560 mm - 568 mm x 550 mm
- Please refer to the dimensions provided in the installation manual

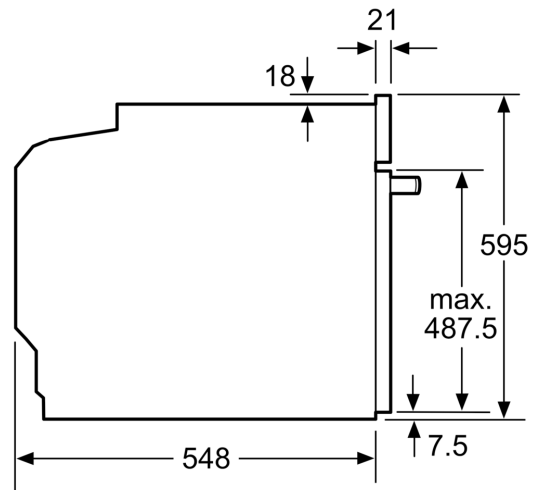
N 90, BUILT-IN OVEN, 60 X 60 CM,  
 GRAPHITE-GREY  
 B64CS71G0B

## Dimensioned drawings

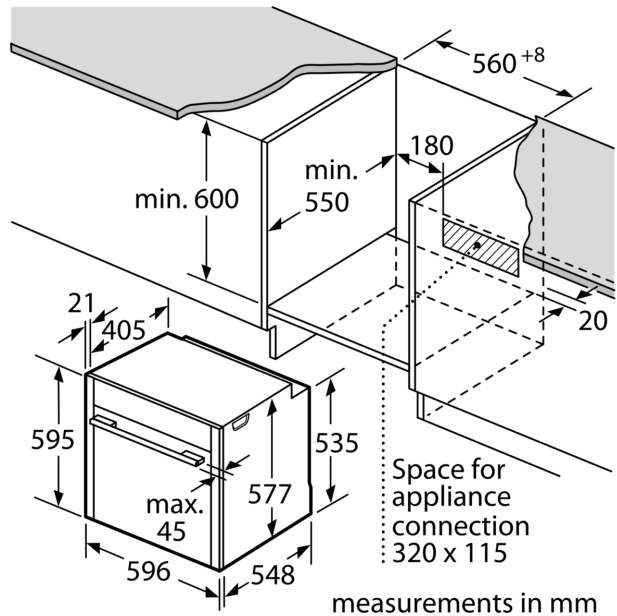
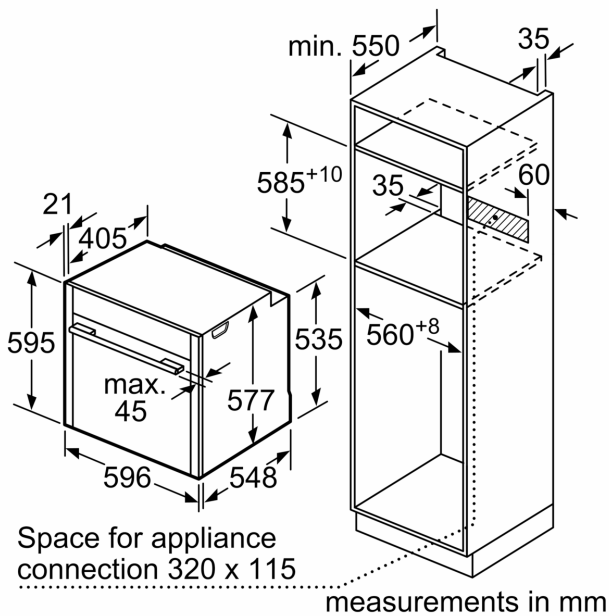
Installing two appliances on top of each other  
 Air exchange



A: Air inlet  $\geq 200 \text{ cm}^2$



measurements in mm



## Dimensioned drawings

If the appliance will be installed underneath a hob, the following worktop thicknesses (including substructure if necessary) must be taken into account.

Hob type	min. worktop thickness	
	fitted	flush
Induction hob	37 mm	38 mm
Full surface Induction hob	47 mm	48 mm
Gas hob	30 mm	38 mm
Electric hob	27 mm	30 mm