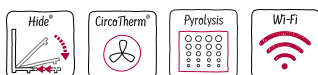


N 50, BUILT-IN OVEN, 60 X 60 CM,
GRAPHITE-GREY
B6ACH7HGOB



A

Built-in Slide&Hide® oven with fixed handle - unrestricted access to the oven interior thanks to the fully retracting oven door

- ✓ Slide&Hide® – The fully retracting oven door.
- ✓ CircoTherm® – Smart hot-air solution that lets you bake on up to three levels at once.
- ✓ Dual cleaning options: Pyrolytic cleaning programmes - just let the oven interior clean itself. EasyClean - the quick and easy option for day to day maintenance.
- ✓ LCD-Display – simple, straightforward with large characters for clear reading
- ✓ Home Connect – Unleash your creativity via app.

Features

Technical Data

Construction type: Built-in
 Integrated Cleaning system: Pyrolytic+Hydrolytic
 Min. required niche size for installation (HxWxD): 585-595 x 560-568 x 550 mm
 Dimensions: 595 x 594 x 548 mm
 Dimensions of the packed product (HxWxD): . 675 x 690 x 660 mm
 Control Panel Material: Glass
 Door Material: Glass
 Net weight: 40.0 kg
 Usable volume of cavity: 71 l
 Cooking method: Bread Baking Setting, Full width grill, Hotair gentle, Hot Air, Conventional heat, Pizza setting, Bottom heat, Hot air grilling
 First cavity material: Other
 Oven control: electronic
 Number of interior lights: 1
 Length of electrical supply cord: 120.0 cm
 EAN code: 4242004263555
 Number of cavities (2010/30/EC): 1
 Energy efficiency rating: A
 Energy consumption per cycle conventional (2010/30/EC): 1.04 kWh/cycle
 Energy consumption per cycle forced air convection (2010/30/EC): 0.81 kWh/cycle
 Energy efficiency index (2010/30/EC): 95.3 %
 Connection rating: 2990 W
 Fuse protection: 13 A
 Voltage: 220-240 V
 Frequency: 50; 60 Hz
 Plug type: no plug (electrical connection by electrician)
 Included accessories: 1 x universal pan, 2 x combination grid

Included accessories

1 x universal pan, 2 x combination grid

Optional accessories

Z11AB15A0	Baking tray, non-stick ceramic coated
Z11AU15A0	Universal pan, non-stick ceramic coated
Z11CB10E0	Baking tray, grey enamelled
Z11CR10X0	Baking and roasting grid (standard)
Z11CU10E0	Multipurpose pan, grey enamelled
Z11GT10X3	Glass roasting dish, 5,4l
Z11TI15X0	Cliprails
Z1352X0	Pizza pan, grey enamelled
Z13CR10X0	Baking and roasting grid (steam)
Z13CV05S0	Cover Strip
Z1913X0	Baking Stone
Z19DD10X0	Steam set for ovens



N 50, BUILT-IN OVEN, 60 X 60 CM,
 GRAPHITE-GREY
 B6ACH7HG0B

Features

Design

- Graphite-Grey Edition
- Elongated designed dials, Retractable control dials, Bevelled oval controls
- Cavity inner surface: enamel grey
- LCD-Display Control (white)
- Electronic clock timer
- Slide&Hide® with fixed handle
- Bar handle
- 4 shelf positions

Features

- Temperature proposal
- Actual temperature display Heating up indicator Automatic start
- Rapid heat
- Interior halogen light, On/off button
- Cooling fan
- Stainless-steel fan
- Info button
- HomeConnect ready on WLAN
- Door lock during pyrolytic cleaning
- Control panel lock Automatic safety switch off Residual heat indicator Door contact switch

Cleaning

- Pyrolytic cleaning
- EasyClean
- Full glass inner door

Programmes/functions

- Oven with 8 cooking functions; 8 cooking functions: heating methods: CircoTherm®, Top/bottom heat, Circo-roasting, Full surface grill, CircoTherm® intensive, Bread baking, Bottom heat, CircoTherm® gentle
- Temperature range 30 °C - 275 °C

Accessories

- 1 Clip rail, Stop function
- 1 x universal pan, 2 x combination grid

Technical information

- Cavity volume: 71 litre
- 120 cm Cable length
- Nominal voltage: 220 - 240 V
- Total connected load electric: 2.99 KW
- Energy efficiency rating (acc. EU Nr. 65/2014): A
- Energy consumption per cycle in conventional mode:1.04 kWh
- Energy consumption per cycle in fan-forced convection mode:0.81 kWh
- Number of cavities: Main cavity Heat source: electrical Cavity volume:71 litre

Performance/technical information

- Appliance dimension (hxwx): 595 mm x 594 mm x 548 mm
- Niche dimension (hxwx): 585 mm - 595 mm x 560 mm - 568 mm x 550 mm
- Please refer to the dimensions provided in the installation manual
- We recommend you to choose complementary products within N50, in order to assure an optimal design combination of your Built-In appliances.

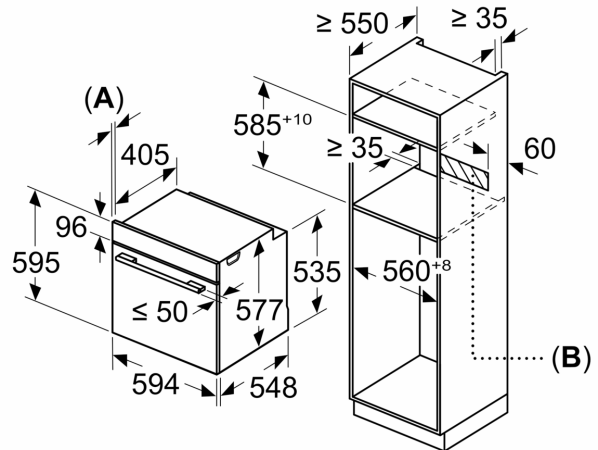
N 50, BUILT-IN OVEN, 60 X 60 CM,
 GRAPHITE-GREY
 B6ACH7HGOB

Dimensioned drawings

If the appliance will be installed underneath a hob, the following worktop thicknesses (including substructure if necessary) must be taken into account.

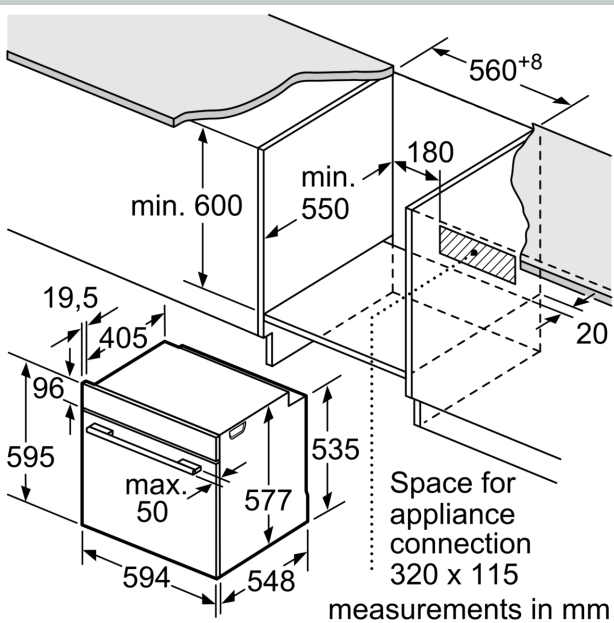
Hob type	min. worktop thickness	
	fitted	flush
Induction hob	37 mm	38 mm
Full surface Induction hob	47 mm	48 mm
Gas hob	30 mm	38 mm
Electric hob	27 mm	30 mm

Measurements in mm

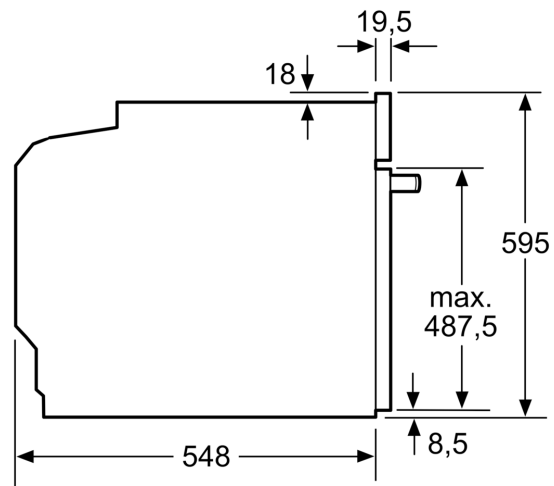


A: 19.5 mm

B: Space for appliance connection 320 x 115 mm



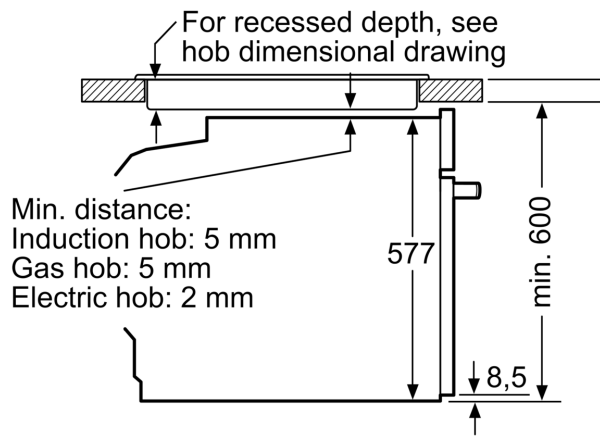
measurements in mm



measurements in mm

Dimensioned drawings

Installation with a hob.



measurements in mm