

N 30, BUILT-IN MICROWAVE OVEN, BLACK  
HLAWG25S3B



HEZG9AS00S Adapter

Built-in microwave for upper cabinets

- ✓ Microwave - high wattage and low effort for quick meals
- ✓ Side-opening hinged door - A smart twist for the elevated installation.
- ✓ Easy Clean – easy cleaning within a couple of minutes
- ✓ LED-Display - simple, straightforward for clear reading
- ✓ Control Dials & One-Touch Buttons – select the right programme using your intuition

Type of micro-wave oven: ..... MW only  
 Type of control: ..... Electronic  
 Dimensions: ..... 382 x 495 x 335 mm  
 Cavity dimensions: ..... 180 x 280 x 300 mm  
 Length electrical supply cord: ..... 130.0 cm  
 Net weight: ..... 14.0 kg  
 Gross weight: ..... 16.6 kg  
 EAN code: ..... 4242004262848  
 Maximum micro-wave power: ..... 800 W  
 Connection Rating: ..... 1270 W  
 Fuse protection: ..... 10 A  
 Voltage: ..... 230-240 V  
 Frequency: ..... 50 Hz  
 Plug type: ..... GB plug



## N 30, BUILT-IN MICROWAVE OVEN, BLACK HLAWG25S3B

### Design

- LED display, red
- Electronic clock timer
- Elongated designed dials, Membrane keys, Start button
- User-friendly electronics: extremely
- easy and comfortable operation
- Cavity inner surface: lacquered grey
- Left hinged door
- Open door button

### Features

- Quick Start Button: one tap to maximum microwave power for 30 seconds
- Favourite button for individual settings (1 setting)
- Control panel lock
- Automatic safety switch off Door contact switch
- Cooling fan
- LED light
- 27 cm Glass turntable

### Cleaning

- EasyClean

### Programmes/functions

- 90-180-360-600-800 Watts and the following options 180 W, 360 W, 600 W, 800 W, 90 W
- Number of automatic programmes: 7 PC
- 4 defrost and 3 cooking programmes in microwave function

### Technical information

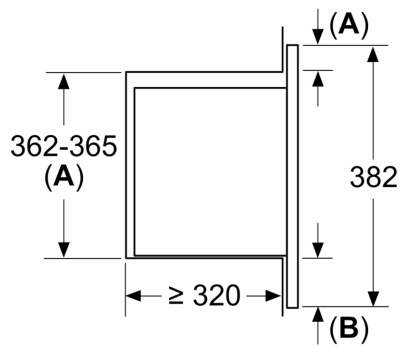
- Cavity volume: 20 l
- 130 cm Cable length
- Total connected load electric: 1.27 KW
- Nominal voltage: 230 - 240 V
- Builds into a 50cm wide wall cupboard. Trim included.

### Performance/technical information

- Appliance dimension (hxxwx): 382 mm x 495 mm x 335 mm
- Niche dimension (hxxwx): 362 mm - 365 mm x 460 mm - 468 mm x 320 mm
- Please refer to the dimensions provided in the installation manual

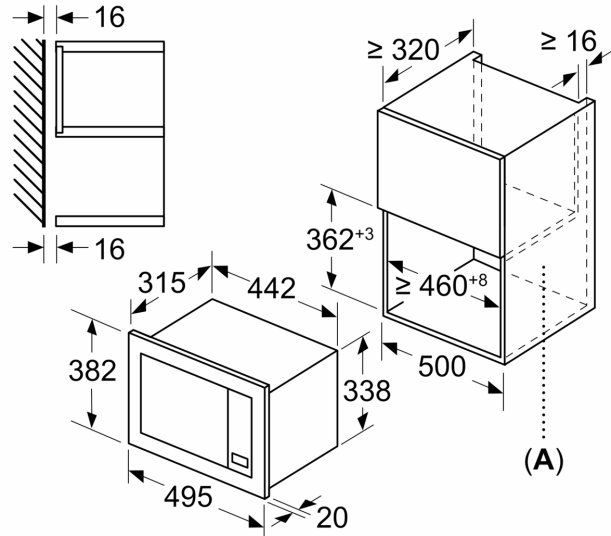
N 30, BUILT-IN MICROWAVE OVEN, BLACK  
HLAWG25S3B

measurements in mm  
Installation of a 20 l microwave in a  
wall cabinet



**A:** Overhang at top:  
Recess 362: 6 mm  
Recess 365: 3 mm  
**B:** Overhang at bottom: 14 mm

measurements in mm



**A:** Back panel open