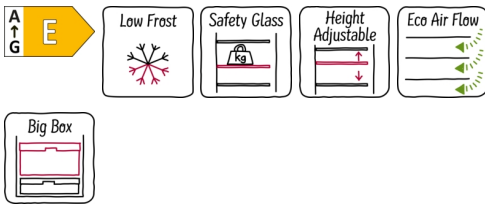


N 50, Built-in fridge-freezer with freezer at bottom, 177.2 x 54.1 cm, sliding hinge  
KI5862SE0G



This built-in fridge-freezer with Fresh Safe keeps fruits and vegetables fresher for longer

- ✓ LowFrost: Reduces frost in the freezer compartment for faster defrosting.
- ✓ Our safety glass shelves happily shoulder generous loads of delicacies in your fridge
- ✓ Adjustable Glass Shelves – Height adjustable shelves create the space you need for inspiring dishes in your fridge
- ✓ Eco Air Flow – Even air circulation for constant temperatures and fast cooling.
- ✓ BigBox: An abundance of storage space even for large and bulky items.

#### Features

##### Technical Data

Energy Efficiency Class : E

Average annual energy consumption in kilowatt hour per year (kWh/a) : 229 kWh/a

Sum of volume of frozen compartments : 84 l

Sum of volume of chill compartments : 183 l

Airborne acoustical noise emissions : 35 dB(A) re 1 pW

Airborne acoustical noise emission class : B

Construction type : Built-in

Door panel options : Not possible

Height : 1772 mm

Width of the appliance : 541 mm

Depth of the product : 548 mm

Min. required niche size for installation (HxWxD) : 1775.0 x 560 x 550 mm

Net weight : 53.1 kg

Fuse protection : 10 A

Door hinge : Right reversible

Voltage : 220-240 V

Frequency : 50 Hz

Length of electrical supply cord : 230.0 cm

Number of compressors : 1

Number of independent cooling systems : 1

Interior ventilator : No

Reversible Door Hinge : Yes

Number of Adjustable Shelves in fridge compartment (Stck) : 3

Shelves for Bottles : No

Frost free system : No

Installation type : Full-integrated

Type of hinge : Follow-door



4 242004 252115

N 50, Built-in fridge-freezer with freezer at bottom,  
 177.2 x 54.1 cm, sliding hinge  
 KI5862SE0G

## Features

### Performance and Consumption

#### Functions

- Bright interior LED fridge light in fridge section

#### Design features

- Electronic control (LED chain)
- Super Cooling: No
- SuperFreeze function with automatic deactivation
- Acoustic door open warning indicator

#### Design features

- 4 safety glass shelves in fridge compartment of which 3 are height adjustable
- 3 door trays, including 1x dairy compartment
- 1 removable door storage compartments.
- 3 door bins

#### Freshness System

- 1 FreshSafe drawer with humidity control retains freshness for longer.

#### Food freshness system

- lowFrost freezer
- 3 transparent freezer drawers, 1 bigbox

#### Dimension and installation

- Dimensions: 177.2 cm H x 54.1 cm W x 54.8 cm D
- Niche Dimensions: 177.5 cm H x 56 cm W x 55 cm D

#### Key features - Fridge section

- Right hinged door, reversible
- 220 - 240 V

#### Key features - Freezer section

- 2 x egg tray, 1 x ice cube tray

#### Country Specific Options

- Based on the results of the standard 24-hour test. Actual consumption depends on usage/position of the appliance.

#### Design features

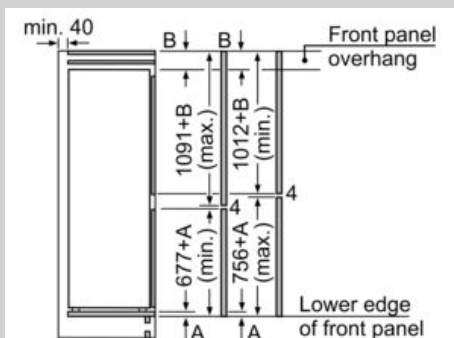
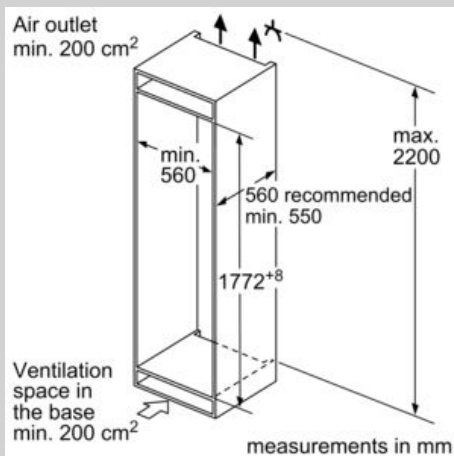
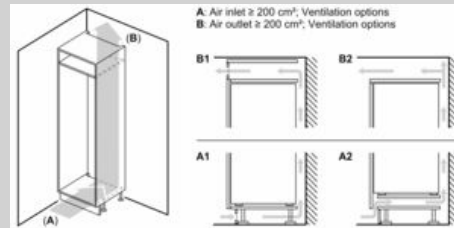
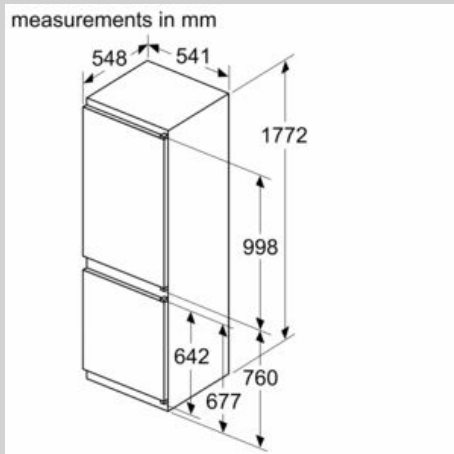
#### Dimension and installation

### Additional features

- EU19\_EEK\_D: E
- Total Volume : 267 l
- Net Fridge Volume : 183 l
- Net Freezer Volume : 84 l
- Net 4\* compartment volume : 84 l
- Freezing capacity 24h : 4.2 kg
- Annual Energy Consumption: 229 kWh/a
- Climate Class: SN-ST
- EU19\_Fast freezer facility\_D
- Noise Level : 35 dB , EU19\_Noise emission class\_D: B
- Temperature rise time : EU19\_Temperature rise time\_D: 9 H

N 50, Built-in fridge-freezer with freezer at bottom,  
 177.2 x 54.1 cm, sliding hinge  
 KI5862SE0G

## Dimensioned drawings



The specified unit door dimensions  
 are valid for a door gap of 4 mm.

measurements in mm