

N 70, MODULAR TEPPAN YAKI, 40 CM
N74TDO0N0



✓ Touch Control – Control your hob with a simple touch.

Features

Technical Data

Product name/family: Vario/Domino Teppan Yaki
 Construction type: Built-in
 Energy input: Electric
 Type of control: Electronic
 Grill grating material: N/A
 Min. required niche size for installation (HxWxD): 90 x x mm
 Width of the appliance: 396 mm
 Dimensions: 90 x 396 x 546 mm
 Dimensions of the packed product (HxWxD): . 230 x 480 x 610 mm
 Net weight: 10.0 kg
 Gross weight: 12.1 kg
 Residual heat indicator: Separate
 Location of control panel: Hob front
 Basic surface material: N/A
 Color of surface: Stainless steel, Stainless steel
 Color of frame: Stainless steel
 Length of electrical supply cord: 100.0 cm
 EAN code: 4242004188117
 Fuse protection: 13 A
 Voltage: 220-240 V
 Frequency: 60; 50 Hz
 Included accessories: 2 x spatula



4 242004 188117

Included accessories

2 x spatula

Optional accessories

Z9914X0 Connecting strip

N 70, MODULAR TEPPAN YAKI, 40 CM N74TDO0N0

Features

Flexibility of cooking zones

- Big stainless steel roast area.
- Frying area can be heated complete or halfway.
- Cooking zone front middle: 292-344 mm, 0.95 KW

Usage convenience

- TouchControl: directly control the power with imprinted touch bar.
- Variable 17-stage power settings for each zone: precisely adapt the heat with 17 power levels (9 main levels and 8 intermediate levels).
- Keep warm function: Keep Warm Function: keep dishes warm at preset low power level.
- LED timer for each zone with switch off function and acoustic signal
 - : an alarm sounds at the end of the time set (e.g. for pasta).
 - Count up timer
 - : shows how much time has passed since starting the timer (e.g. for potatoes).
- Thermostat can be set between 160-240 °C in steps of 10° C.
- Special level for keeping warm (70°C).
- Special level for cleaning (40°C).
- Display of the heat up phase.

Time saving & efficiency

- ReStart function: in case of unintentional switch-off, this feature restores all previous settings by switching on the hob again within 4 seconds.

Design

- Ceramic glass on stainless steel trim
- Removable black glass lid.

Safety

- 2 stage residual heat indicators: indicates which cooking zones are still hot or warm.
- Control panel lock: prevent unintended activation of the hob.
- Control panel suspension: wipe overboiled liquids without unintentionally changing settings (blocking all touch buttons for 30 seconds).
- Main switch: switch off all cooking zones at the touch of a button.
- Power on indicator light: indicates if the hob is heating.
- Safety cut out facility: for safety reasons, heating stops after a preset time if not used (possible to customise).
- Energy consumption display: shows the electricity consumption of the last cooking process.

Installation

- Dimensions of the product (HxWxD mm): 90 x 396 x 546
- Required niche size for installation (HxWxD mm) : 90 x 360 x (490 - 500)
- Min. worktop thickness: 30 mm
- Connected load: 1.9 KW
- Power cord: 1 m, connected directly

Accessories

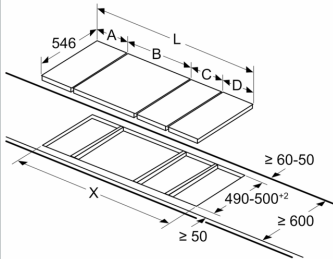
- spatula included

N 70, MODULAR TEPPAN YAKI, 40 CM
N74TDO0N0

Dimensioned drawings

measurements in mm

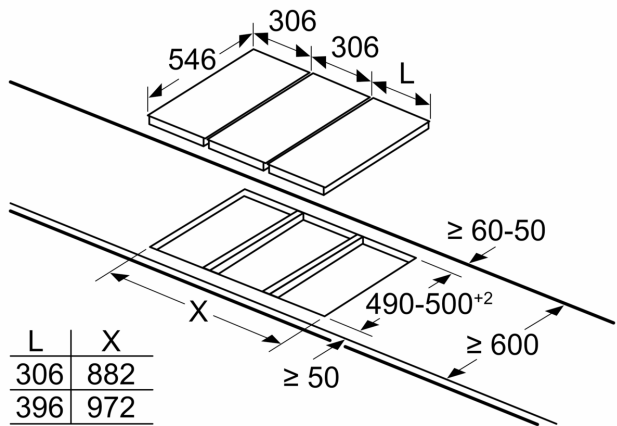
Picture for the table: Domino combination options with corresponding devices and cut-out dimensions



When installing two or more elements side-by-side, one or more installation kits are required (2 elements = 1 installation kit; 3 elements = 2 installation kits, etc.).

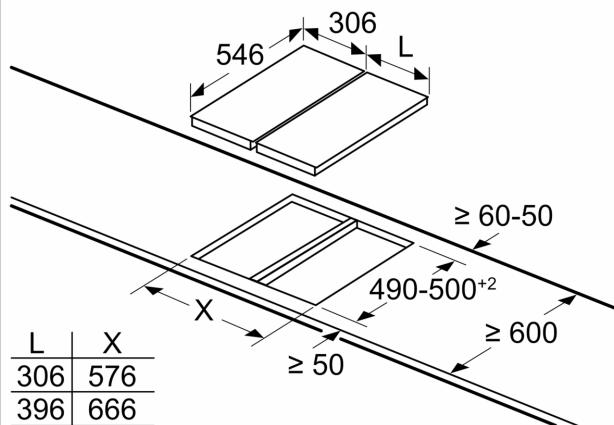
Cut-out dimension (X) depends on the combination; see table:

measurements in mm

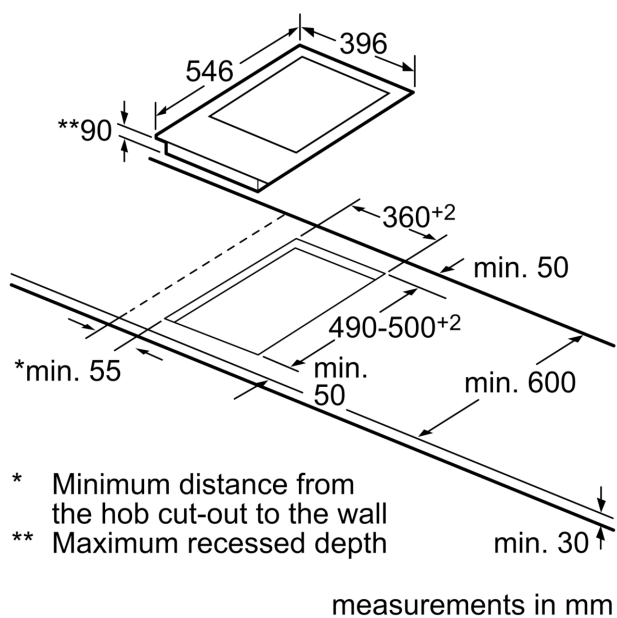


When installing two or more Domino units side-by-side, one or more assembly kits are required (2 units = 1 assembly kit; 3 units = 2 assembly kits, etc.).

measurements in mm

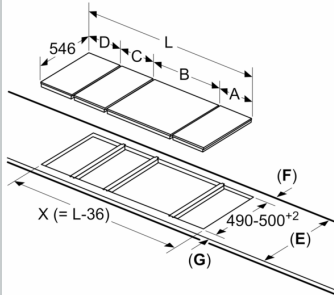


When installing two or more Domino units side-by-side, one or more assembly kits are required (2 units = 1 assembly kit; 3 units = 2 assembly kits, etc.).



Dimensioned drawings

measurements in mm
Domino combination options with
corresponding appliance and cut-out
dimensions (see table)



E	F	G
585-600	50	≥ 35
> 600	≥ 50	≥ 50

When installing several elements side by side,
several assembly kits are also required.

Cut-out dimensions (X) depending on
the combination, see table:

Domino combination options with
corresponding appliance and cut-out dimensions

Width type: 30 40 60 70 80 90
Appliance width: 306 396 606 708 826 918

	A	B	C	D	L	X
2x30	306	306	-	-		612 576
1x30, 1x40	306	396	-	-		702 666
1x30, 1x60	306	606	-	-		912 876
1x30, 1x70*	306	708	-	-		1014 978
1x30, 1x80	306	826	-	-		1132 1096
1x30, 1x90	306	918	-	-		1224 1188
2x40	396	396	-	-		792 756
1x40, 1x60	396	606	-	-		1002 966
1x40, 1x70*	396	708	-	-		1104 1068
1x40, 1x80	396	826	-	-		1222 1186
1x40, 1x90	396	918	-	-		1314 1278
3x30	306	306	306	-		918 882
2x30, 1x40	306	306	396	-		1008 972
2x30, 1x60	306	306	606	-		1218 1182
2x30, 1x70*	306	306	708	-		1320 1284
2x30, 1x80	306	306	826	-		1438 1402
2x30, 1x90	306	306	918	-		1530 1494
1x30, 2x40	306	396	396	-		1098 1062
1x30, 1x40, 1x60	306	396	606	-		1308 1272
1x30, 1x40, 1x80	306	396	826	-		1528 1492
1x30, 1x40, 1x90	306	396	918	-		1620 1584
3x40	396	396	396	-		1188 1152
2x40, 1x60	396	396	606	-		1398 1362
1x30, 1x40, 1x70*	306	396	708	-		1410 1374
4x30	306	306	306	306		1224 1188
3x30, 1x40	306	306	306	396		1314 1278
2x30, 2x40	306	306	396	396		1404 1368
1x30, 3x40	306	396	396	396		1494 1458

* Not possible with 70 cm induction hob