

N 70, BUILT-IN MICROWAVE, GRAPHITE-GREY
NR4WR21G1B



Built-in microwave for upper cabinets

- ✓ 3,7" Full Touch TFT Display - Intuitive navigation for easy use and complete control.
- ✓ Automatic Meal Settings - Easy cooking with preselected programmes for a wide variety of dishes.
- ✓ Microwave - high wattage and low effort for quick meals
- ✓ Inverter Technology - Heat food gradually and evenly.
- ✓ Easy Clean – easy cleaning within a couple of minutes

Features

Technical Data

Type of micro-wave oven:	MW only
Type of control:	Electronic
Dimensions:	382 x 596 x 318 mm
Cavity dimensions:	220 x 350 x 270 mm
Length electrical supply cord:	175.0 cm
Net weight:	17.0 kg
Gross weight:	18.9 kg
EAN code:	4242004265535
Maximum micro-wave power:	900 W
Connection Rating:	1220 W
Fuse protection:	10 A
Voltage:	220-240 V
Frequency:	50; 60 Hz
Plug type:	GB plug



N 70, BUILT-IN MICROWAVE, GRAPHITE-GREY NR4WR21G1B

Features

- Intelligent microwave inverter technology: For optimised results maximum output power will be regulated to 600 W when used in longer operation for gentler cooking.

Design

- Graphite-Grey Edition
- Touch control
- Touch key operation
- stainless steel, Ceramic glass base cavity with Ceramic glass base, stainless steel

Features

- User-friendly electronics: extremely
- easy and comfortable operation
- Start button
- Door contact switch

Programmes/functions

- 90-180-360-600-900 Watts and the following options: 180 W, 360 W, 600 W, 90 W, 900 W
- Number of automatic programmes: 7 PC
- 3 defrost and 4 cooking programmes in microwave function
- LED light
- Electronic clock timer
- Right hinged door
- Cooling fan

Cleaning

- EasyClean

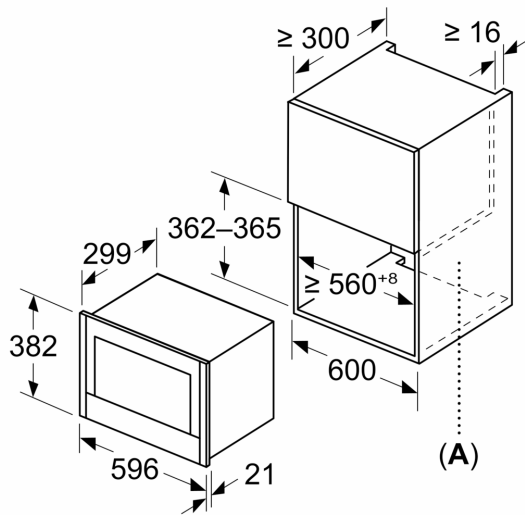
Performance/technical information

- Nominal voltage: 220 - 240 V
- Total connected load electric: 1.22 KW
- Cavity volume: 21 l
- Appliance dimension (hxwxh): 382 mm x 596 mm x 318 mm
- Niche dimension (hxwxh): 362 mm - 382 mm x 560 mm - 568 mm x 300 mm
- Frameless installation recommended for wall units, but also suitable for tall housing
- Please refer to the dimensions provided in the installation manual

N 70, BUILT-IN MICROWAVE, GRAPHITE-GREY
NR4WR21G1B

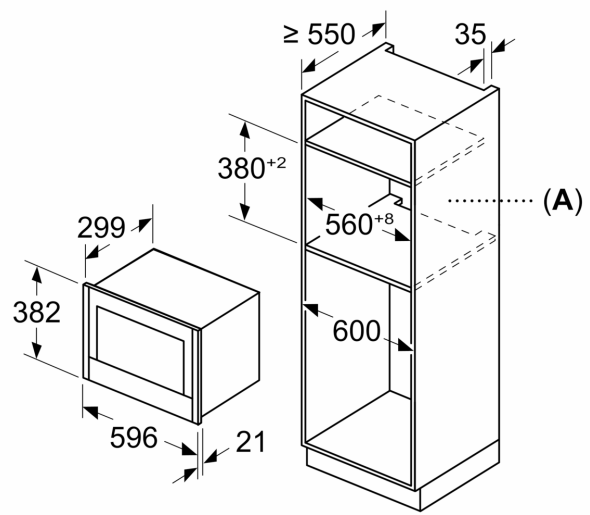
Dimensioned drawings

Measurements in mm



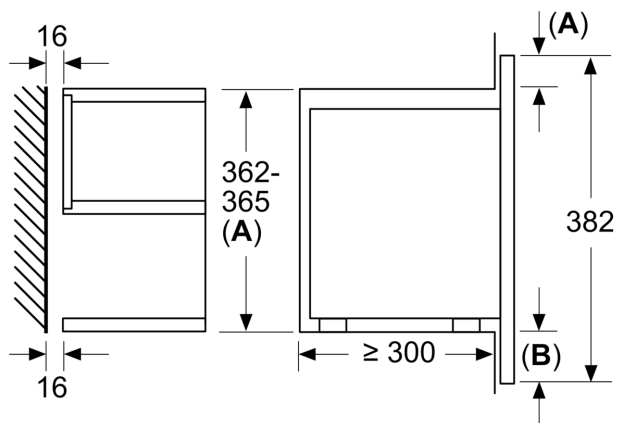
A: Back wall open

Measurements in mm



A: Back wall open

measurements in mm



- A: Overhang at top:
Recess 362: 6 mm
Recess 365: 3 mm
- B: Overhang at bottom: 14 mm