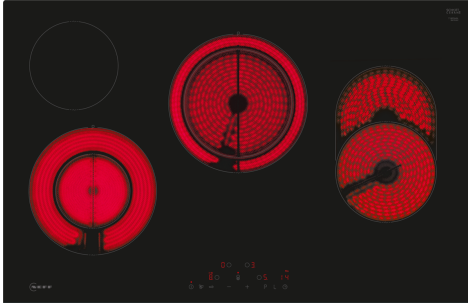


N 70, ELECTRIC HOB, 80 CM, BLACK,  
T18FDH9L



Optional accessories

Z9381X0	Intermediate bottom
Z9428FE0	Iron pan Ø 18 / 28 cm
Z943SE0	Set of 2 pots and 1 pan

Standalone electric hob with TouchControl

- ✓ Touch Control – Control your hob with a simple touch.
- ✓ Power Boost – An extra surge of heat when you need fast results.
- ✓ Roasting Zone – automatically switches on when using a roaster.

Features

Technical Data

Product name/family: ..... Cooking zone ceramic  
 Construction type: ..... Built-in  
 Energy input: ..... Electric  
 Number of cooking zones: ..... 4  
 Min. required niche size for installation (HxWxD): .. 45 x 780-780 x 500-500 mm  
 Width of the appliance: ..... 802 mm  
 Dimensions: ..... 45 x 802 x 522 mm  
 Dimensions of the packed product (HxWxD): ..... 100 x 1025 x 620 mm  
 Net weight: ..... 9.9 kg  
 Gross weight: ..... 11.6 kg  
 Residual heat indicator: ..... Separate  
 Location of control panel: ..... Hob front  
 Basic surface material: ..... Ceramic  
 Color of surface: ..... Black  
 EAN code: ..... 4242004271857  
 Voltage: ..... 220-240 V  
 Frequency: ..... 50; 60 Hz



## N 70, ELECTRIC HOB, 80 CM, BLACK, T18FDH9L

### Features

- 80 cm: space for 4 pots or pans.

#### Flexibility of cooking zones

- Ring zone roaster: use roasters on the extendable cooking zone.
- Ring zone double: use regular or larger cookware on the extendable cooking zone.
- Cooking zone front left: 120 mm, 210 mm, 0.8 KW (max. power 2.6 KW)
- Cooking zone rear left: 145 mm, 1.2 KW
- Cooking zone middle: 180 mm, 230 mm, 1.7 KW (max. power 3.4 KW)
- Cooking zone front right: 170 mm, 265 mm, 1.8 KW

#### Usage convenience

- Touch control: control the power with imprinted +/- touch buttons.
- Variable 17-stage power settings for each zone: precisely adapt the heat with 17 power levels (9 main levels and 8 intermediate levels).
- Keep warm function: Keep Warm Function: keep dishes warm at preset low power level.
- Switch-off timer: switches off the cooking zone at the end of the time set (e.g. for boiled eggs).
- Count-down Timer: an alarm sounds at the end of the time set (e.g. for pasta).

#### Time saving & efficiency

- Front left, Rear center: boil water more quickly thanks to 20% more energy than at the highest standard level.
- ReStart function: in case of unintentional switch-off, this feature restores all previous settings by switching on the hob again within 4 seconds.
- Quick-Off: quickly switch off a cooking zone with one longer touch.

#### Design

- Bevelled front edge

#### Safety

- 2 stage residual heat indicators: indicates which cooking zones are still hot or warm.
- Control panel lock: prevent unintended activation of the hob.
- Control panel suspension: wipe overboiled liquids without unintentionally changing settings (blocking all touch buttons for 30 seconds).
- Main switch: switch off all cooking zones at the touch of a button.
- Power on indicator light: indicates if the hob is heating.
- Safety cut out facility: for safety reasons, heating stops after a preset time if not used (possible to customise).
- Energy consumption display: shows the electricity consumption of the last cooking process.

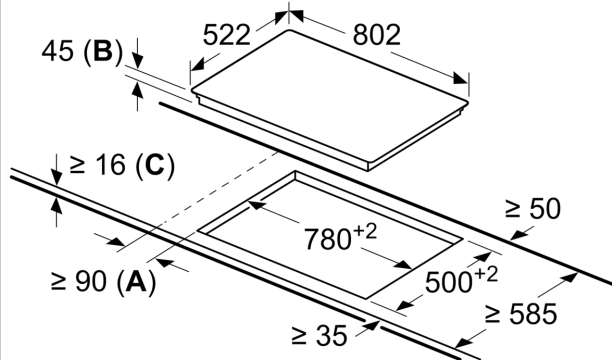
#### Installation

- Dimensions of the product (HxWxD mm): 45 x 802 x 522
- Required niche size for installation (HxWxD mm) : 45 x 780 x (500 - 500)
- Min. worktop thickness: 16 mm
- Connected load: 9.3 KW

N 70, ELECTRIC HOB, 80 CM, BLACK,  
T18FDH9L

Dimensioned drawings

measurements in mm



- A:** Minimum distance from the hob cut-out to the wall.
- B:** Recessed depth
- C:** With fitted oven underneath min. 20, possibly more; see space requirements for the oven.