

# WASHER DRYER, 7/4 KG V6540X2GB



- ✓ Large LED Display – Large display for easier navigation and wash programme delay of up to 24 hours
- ✓ Aqua Stop – For a lifetime protection in case of water damage.
- ✓ 7/4 kg load capacity: wash 7 kg, dry 4 kg.

## Features

### Technical Data

Energy Efficiency Class Wash/Dry cycle(Regulation): ..... E  
 Energy Efficiency Class Eco 40-60 programme (Regulation): E  
 Weighted energy consumption in kWh per 100 full Wash/Dry cycles: ..... 266 kWh  
 Weighted energy consumption in kWh per 100 washing cycles of eco 40-60 programme: ..... 77 kWh  
 Maximum capacity in kg in a Wash/Dry cycle: ..... 4.0  
 Maximum capacity in kg in a wash cycle: ..... 7.0  
 The water consumption of the full wash and dry cycle in liters per cycle: ..... 68 l  
 The water consumption of the eco programme in liters per cycle: 44 l  
 Duration of the full wash and dry cycle in hours and mins at rated capacity: ..... 5:30 h  
 Duration of eco 40-60 programme in hours and mins at rated capacity: ..... 2:50 h  
 Spin-drying efficiency class of eco 40-60 programme: ..... B  
 Airborne acoustical noise emissions : ..... 72 dB(A) re 1 pW  
 Airborne acoustical noise emission class: ..... A  
 Construction type: ..... Free-standing  
 Removable work top: ..... No  
 Door hinge: ..... Left  
 Length of electrical supply cord: ..... 220.0 cm  
 Height of removable worktop: ..... 0 mm  
 Dimensions of the product: ..... 820 x 595 x 584 mm  
 Net weight: ..... 85.1 kg  
 Drum volume: ..... 52 l  
 EAN code: ..... 4242004253136

## Optional accessories

Z7070X0	Accessory
Z7080X0	Accessory



## WASHER DRYER, 7/4 KG V6540X2GB

### Features

#### Performance

- Energy Efficiency Class Wash and Dry<sup>1</sup>: E
- Energy Efficiency Class Washing<sup>2</sup>: E
- Energy<sup>3</sup> / Water<sup>4</sup> Wash and Dry: 266 kWh / 68 litres
- Energy<sup>5</sup> / Water<sup>6</sup> Washing: 77 kWh / 44 litres
- Load capacity Wash and Dry / Washing: 1 - 4 kg / 1 - 7 kg
- Programme duration<sup>7</sup> Wash and Dry / Washing: 5:30 h:min / 2:50 h:min
- Spin drying efficiency class: EU19\_spin efficiency class: B
- Spin speed<sup>\*\*</sup>: 600 - 1355 rpm
- Noise level: 72 dB (A) re 1 pW
- Noise efficiency class: A

#### Programmes/functions

- Fully electronic control dial for all wash and special programmes
- Special programmes: Easy-Care, Night wash, Mixed Load, Sports wash, Rapid 15, Rinsing / Spinning, fluff clean, Drain / Spin, Allergy +, wool/handwash, Delicates/Silk
- Special programme - drying: fluff removal cycle
- Buttons: Start, Spin speed reduction, Change, menu, Drying time, Temperature and 24 hr Time Delay
- Safeguard monitoring system adjusts load distribution

#### Key features

- Aquatronic wash system
- autoDry function, Timed drying programmes

#### Additional features

- Large display for programme progress indication, temperature, spin speed, time remaining and 24 hours time delay, and indication of drying level
- Automatic load adjustment system
- AquaStop: Neff home appliance with lifetime warranty against water damage
- Foam detection system
- Buzzer to indicate the end of cycle
- Child safety lock
- Metal door catch
- Reload facility

#### Technical Information

- Fully integratable
- Left hinged door
- Dimensions (H X W X D): 82 x 59.5 x 56 cm
- adjustable base height: 16.5 cm
- adjustable base depth: 6.5 cm
- Height adjustment with Cardan drive

<sup>1,2</sup> Scale of Energy Efficiency Classes from A to G

<sup>3</sup> Energy consumption in kWh per 100 complete cycles (in Eco 40-60 programme)

<sup>4</sup> Water consumption in litres per complete cycle (in Eco 40-60 programme)

<sup>5</sup> Energy consumption in kWh per 100 washing cycles (in Eco 40-60 programme)

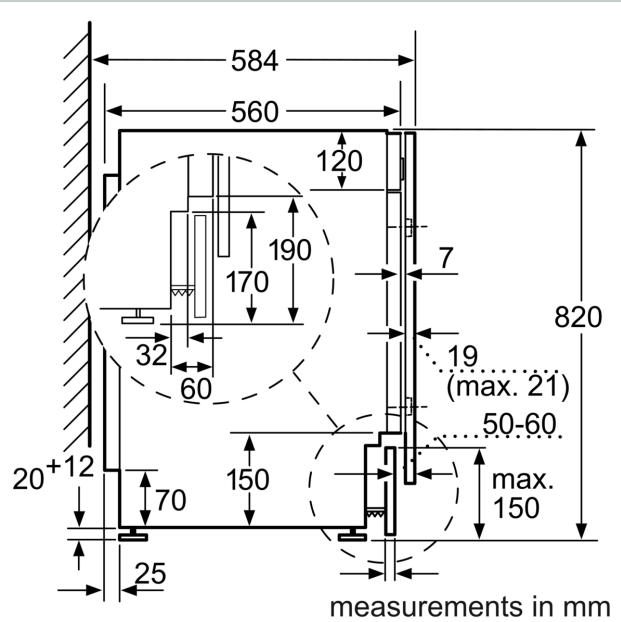
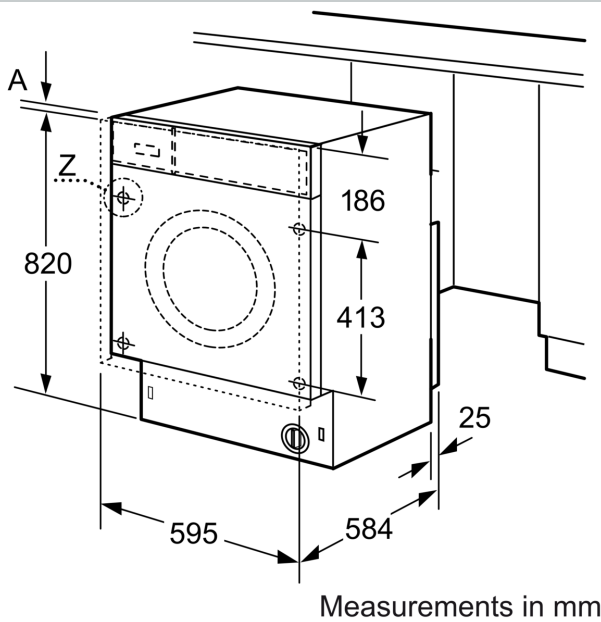
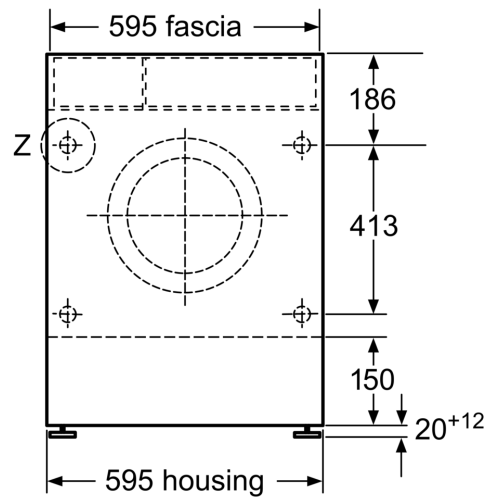
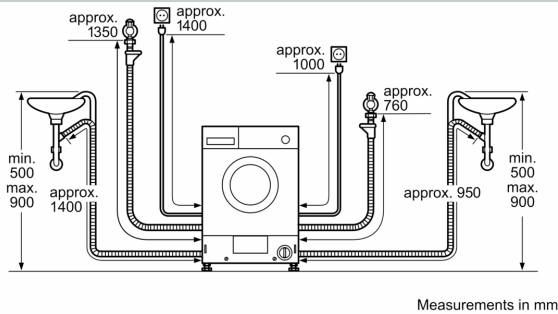
<sup>6</sup> Weighted water consumption in litres per washing cycle (in Eco 40-60 programme)

<sup>7</sup> Duration of Eco 40-60 programme, Wash and Dry cycle / Wash only cycle

\*\* Values are rounded.

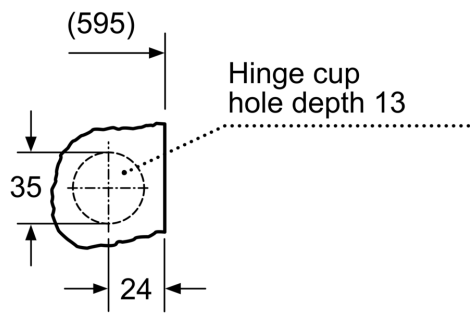
WASHER DRYER, 7/4 KG  
 V6540X2GB

## Dimensioned drawings



Dimensioned drawings

Z detail



Measurements in mm