

WASHER DRYER, 7/4 KG  
V6540X3GB



Optional accessories

Z7070X0	Accessory
Z7080X0	Accessory

- √ Large LED Display – Large display for easier navigation and wash programme delay of up to 24 hours
- √ Aqua Stop – For a lifetime protection in case of water damage.
- √ 7/4 kg load capacity: wash 7 kg, dry 4 kg.

Features

Technical Data

Energy Efficiency Class Wash/Dry cycle(Regulation):	..... E
Energy Efficiency Class Eco 40-60 programme (Regulation):	E
Weighted energy consumption in kWh per 100 full Wash/Dry cycles:	..... 266 kWh
Weighted energy consumption in kWh per 100 washing cycles of eco 40-60 programme:	..... 77 kWh
Maximum capacity in kg in a Wash/Dry cycle:	..... 4.0
Maximum capacity in kg in a wash cycle:	..... 7.0
The water consumption of the full wash and dry cycle in liters per cycle:	..... 68 l
The water consumption of the eco programme in liters per cycle:	44 l
Duration of the full wash and dry cycle in hours and mins at rated capacity:	..... 5:30 h
Duration of eco 40-60 programme in hours and mins at rated capacity:	..... 2:50 h
Spin-drying efficiency class of eco 40-60 programme:	..... B
Airborne acoustical noise emissions :	..... 72 dB(A) re 1 pW
Airborne acoustical noise emission class:	..... A
Construction type:	..... Free-standing
Removable work top:	..... No
Door hinge:	..... Left
Length of electrical supply cord:	..... 220.0 cm
Height of removable worktop:	..... 0 mm
Dimensions of the product:	..... 820 x 595 x 584 mm
Net weight:	..... 85.1 kg
Drum volume:	..... 52 l
EAN code:	..... 4242004274209



## WASHER DRYER, 7/4 KG V6540X3GB

### Features

#### Performance

- Energy Efficiency Class Wash and Dry<sup>1</sup>: E
- Energy Efficiency Class Washing<sup>2</sup>: E
- Energy<sup>3</sup> / Water<sup>4</sup> Wash and Dry: 266 kWh / 68 litres
- Energy<sup>5</sup> / Water<sup>6</sup> Washing: 77 kWh / 44 litres
- Load capacity Wash and Dry / Washing: 1 - 4 kg / 1 - 7 kg
- Programme duration<sup>7</sup> Wash and Dry / Washing: 5:30 h:min / 2:50 h:min
- Spin drying efficiency class: EU19\_spin efficiency class: B
- Spin speed<sup>\*\*</sup>: 600 - 1355 rpm
- Noise level: 72 dB (A) re 1 pW
- Noise efficiency class: A

#### Programmes/functions

- Special programmes: Easy-Care, Night wash, Mixed Load, Sports wash, Rapid 15, Rinsing / Spinning, fluff clean, Drain / Spin, Allergy +, wool/handwash, Delicates/Silk
- Special programme - drying: fluff removal cycle

#### Key features

- Buttons: Start, Spin speed reduction, Change, menu, Drying time, Temperature and 24 hr Time Delay

#### Additional features

- AquaStop: Neff home appliance with lifetime warranty against water damage
- Large display for programme progress indication, temperature, spin speed, time remaining and 24 hours time delay, and indication of drying level
- Fully electronic control dial for all wash and special programmes
- autoDry function, Timed drying programmes
- Aquatronic wash system
- Automatic load adjustment system
- Foam detection system
- Safeguard monitoring system adjusts load distribution
- Buzzer to indicate the end of cycle
- Child safety lock
- White door with 180° opening door
- Left hinged door
- Metal door catch
- Reload facility

#### Technical Information

- adjustable base height: 16.5 cm
- adjustable base depth: 6.5 cm
- Dimensions (H X W X D): 82 x 59.5 x 56 cm
- Height adjustment with Cardan drive
- Fully integratable

<sup>1 2</sup> Scale of Energy Efficiency Classes from A to G

<sup>3</sup> Energy consumption in kWh per 100 complete cycles (in Eco 40-60 programme)

<sup>4</sup> Water consumption in litres per complete cycle (in Eco 40-60

programme)

<sup>5</sup> Energy consumption in kWh per 100 washing cycles (in Eco 40-60 programme)

<sup>6</sup> Weighted water consumption in litres per washing cycle (in Eco 40-60 programme)

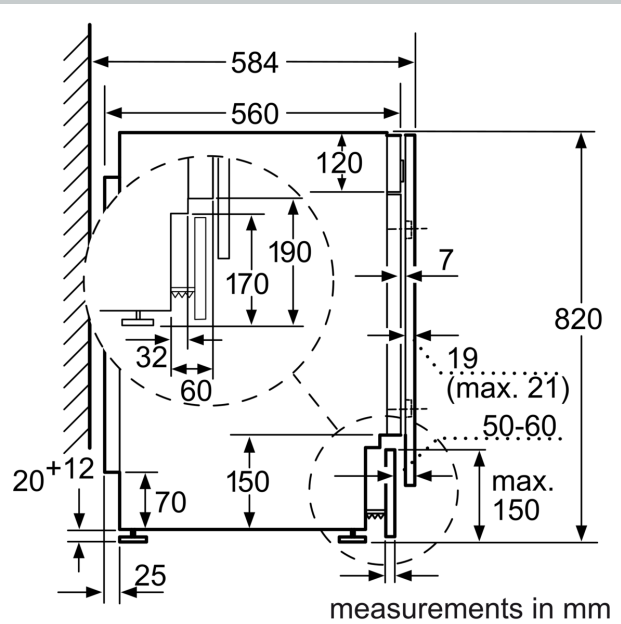
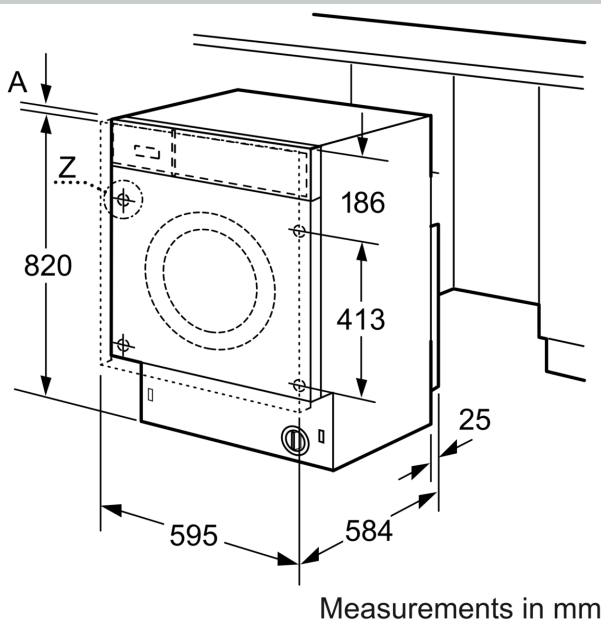
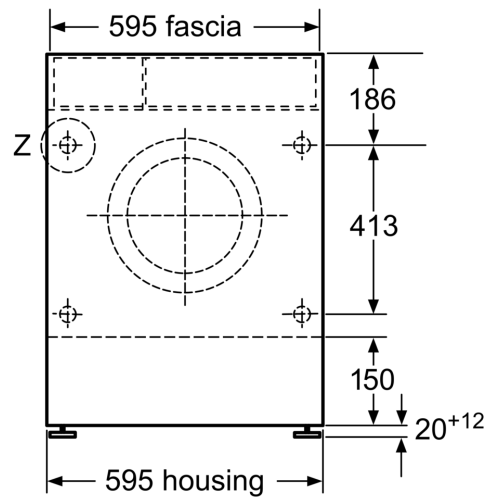
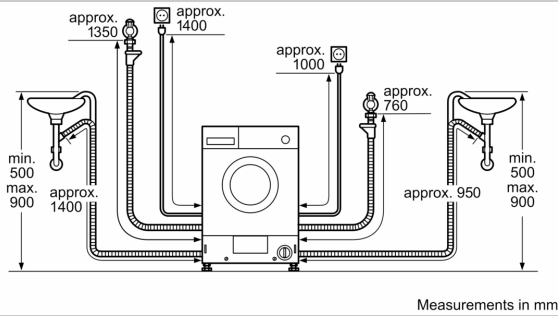
<sup>7</sup> Duration of Eco 40-60 programme, Wash and Dry cycle / Wash only cycle

<sup>\*\*</sup> Values are rounded.

\* Please find warranty terms under the additional warranties section of our website.

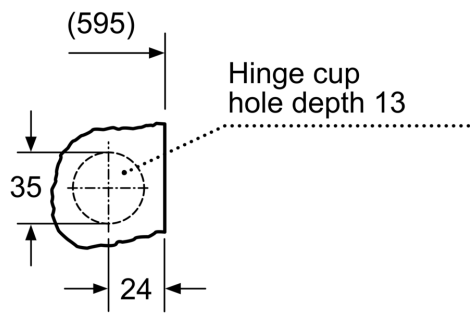
WASHER DRYER, 7/4 KG  
 V6540X3GB

## Dimensioned drawings



Dimensioned drawings

Z detail



Measurements in mm