

iQ700, Built-in compact oven with microwave function, 60 x 45 cm, Stainless steel CM633GBS1B



Shorten your cooking time thanks to varioSpeed and fast preheat.

- ✓ varioSpeed – Prepare excellent dishes up to 50% faster.
- ✓ fast preheat: reach the required cooking temperature sooner.
- ✓ Automatic programs ensure best results - cookControl14.
- ✓ TFT Display: good readability from any perspective.
- ✓ 4D hotAir – Even heat distribution for excellent results on any level.

Features

Technical Data

Type of micro-wave oven : MW-Combi
 Type of control : Electronic
 Color / Material Front : Stainless steel
 Dimensions : 455 x 594 x 548 mm
 Cavity dimensions : 237.0 x 480 x 392.0 mm
 Length of electrical supply cord : 150.0 cm
 Net weight : 35.2 kg
 Gross weight : 37.5 kg
 EAN code : 4242003674093
 Maximum micro-wave power : 900 W
 Connection rating : 3600 W
 Fuse protection : 16 A
 Voltage : 220-240 V
 Frequency : 60; 50 Hz
 Plug type : no plug (electrical connection by electrician)
 Cavity dimensions : 237.0 x 480 x 392.0 mm
 Included accessories : 1 x combination grid, 1 x universal pan



Included accessories

- 1 x combination grid
- 1 x universal pan

Optional accessories

- HZ915003 Glass roasting dish, 5,4 L
- HZ66X600 Decor list
- HZ636000 Glass pan
- HZ634080 Baking and roasting grid (microwave)
- HZ631070 Baking tray, anthracite enamelled
- HZ531010 Baking tray, non-stick ceramic coated

iQ700, Built-in compact oven with microwave function, 60 x 45 cm, Stainless steel CM633GBS1B

Features

Design

- 2.8" TFT Display
- Drop down oven door, softClose, softOpen
-
- Cavity inner surface: enamel anthracite
- Intelligent microwave inverter technology: For optimised results maximum output power will be regulated to 600 W when used in longer operation for gentler cooking.
- 3 shelf positions
- Stainless steel control dial
- Bar handle
- We recommend you to choose complementary products within iQ700, in order to assure an optimal design combination of your Built-In appliances.

Features

- Digital temperature display with proposal
- Actual temperature display Heating-up indicator cookControl
- Control panel lock
- Automatic safety switch off Residual heat indicator Start button Door contact switch
- Automatic programmes
- cookControl, 14
- Electronic oven clock timer
- LED light, Light on/off when door opened/closed
- Integral cooling fan

Programmes/functions

- Compact oven with microwave with Multifunction oven with 6 cooking functions: heating methods: 4D hot air, hotairGentle, hot air grilling, full width grill, half width grill, keep warm
- Additional heating methods with microwave: Microwave, Combi microwave constant
- Max. Power: 900 W; 5 Microwave power settings (90 W,180 W,360 W,600 W,900 W)
- Fast preheat

Accessories

- 1 x universal pan, 1 x combination grid

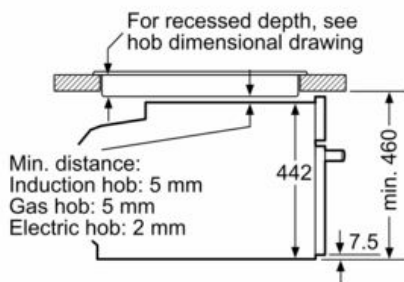
Performance/technical information

- Cavity volume: 45 litres
- Power cord length 150 cm Cable length
- Total connected load electric: 3.6 KW
- Nominal voltage: 220 - 240 V
- Temperature range 30 °C - 275 °C
- Appliance dimension (hxwxd): 455 mm x 594 mm x 548 mm
- Niche dimension (hxwxd): 450 mm - 455 mm x 560 mm - 568 mm x 550 mm
- Please refer to the dimensions provided in the installation manual

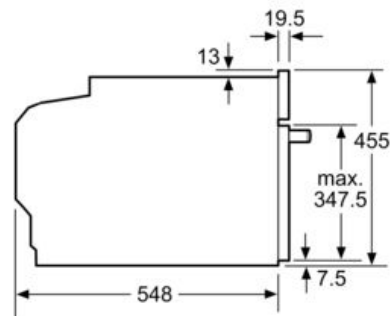
iQ700, Built-in compact oven with microwave function, 60 x 45 cm, Stainless steel CM633GBS1B

Dimensioned drawings

Installation with a hob.



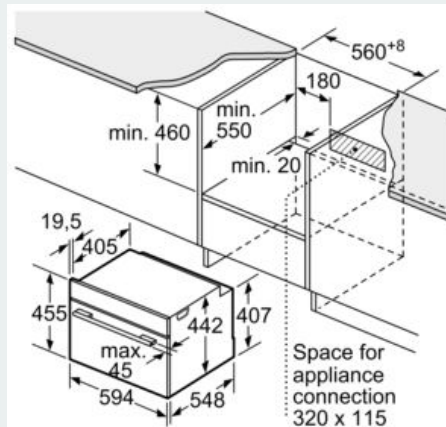
measurements in mm



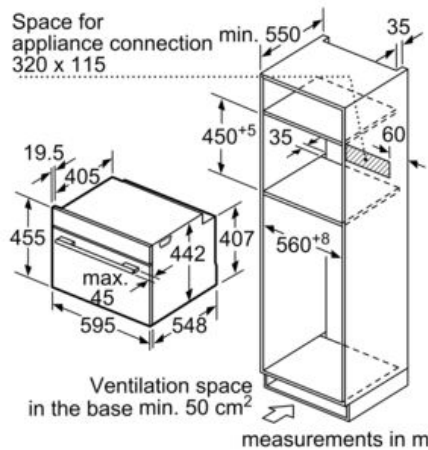
measurements in mm

If the compact appliance will be installed underneath a hob, the following worktop thicknesses (including substructure if necessary) must be taken into account.

Hob type	min. worktop thickness	
	fitted	flush
Induction hob	42 mm	43 mm
Full surface Induction hob	52 mm	53 mm
Gas hob	32 mm	43 mm
Electric hob	32 mm	35 mm



measurements in mm



measurements in mm