

## iQ700, Built-in compact oven with microwave function, 60 x 45 cm, Stainless steel CM676GBS6B



Shorten your cooking time thanks to varioSpeed, fast preheat and activeClean. And remote your oven from anywhere with Home Connect.

- ✓ varioSpeed – Prepare excellent dishes up to 50% faster.
- ✓ activeClean® – The automatic, self-cleaning oven system.
- ✓ Home Connect – Experience the intelligent kitchen via app.
- ✓ User-friendly menu navigation with good display features - TFT-Touchdisplay.
- ✓ cookControl Plus – Build success into your baking.

### Features

#### Technical Data

Type of micro-wave oven : MW-Combi  
 Type of control : Electronic  
 Color / Material Front : Stainless steel  
 Dimensions : 455 x 594 x 548 mm  
 Cavity dimensions : 237.0 x 480 x 392.0 mm  
 Length of electrical supply cord : 150.0 cm  
 Net weight : 34.9 kg  
 Gross weight : 38.2 kg  
 EAN code : 4242003765920  
 Maximum micro-wave power : 900 W  
 Connection rating : 3600 W  
 Fuse protection : 16 A  
 Voltage : 220-240 V  
 Frequency : 60; 50 Hz  
 Plug type : no plug (electrical connection by electrician)  
 Cavity dimensions : 237.0 x 480 x 392.0 mm  
 Included accessories : 1 x combination grid, 1 x universal pan

### Included accessories

- 1 x combination grid
- 1 x universal pan

### Optional accessories

- |          |                                       |
|----------|---------------------------------------|
| HZ915003 | Glass roasting dish, 5,4 L            |
| HZ66X600 | Decor list                            |
| HZ636000 | Glass pan                             |
| HZ634080 | Baking and roasting grid (microwave)  |
| HZ631070 | Baking tray, anthracite enamelled     |
| HZ531010 | Baking tray, non-stick ceramic coated |



## iQ700, Built-in compact oven with microwave function, 60 x 45 cm, Stainless steel CM676GBS6B

### Features

#### Design

- 3.7" TFT touchDisplay
- Drop down oven door, softClose, softOpen
- 
- Cavity inner surface: enamel anthracite
- 3 shelf positions
- Stainless steel control dial
- Bar handle
- We recommend you to choose complementary products within iQ700, in order to assure an optimal design combination of your Built-In appliances.

#### Features

- Digital temperature display with proposal
- Actual temperature display Heating-up indicator
- Intelligent microwave inverter technology: For optimised results maximum output power will be regulated to 600 W when used in longer operation for gentler cooking.
- Electronic door lock
- Control panel lock Automatic safety switch off Residual heat indicator Start button Door contact switch
- WLAN - Home connect enabled
- cookControl Plus
- Electronic oven clock timer
- LED light, Light on/off when door opened/closed
- Integral cooling fan

#### Cleaning

- activeClean

#### Programmes/functions

- Compact oven with microwave with 13 main functions heating methods: 4D hot air, hotairGentle, conventional top & bottom heating, Conventional heat Gentle, hot air grilling, full width grill, half width grill, Pizza setting, coolStart, bottom heat, low temperature cooking, keep warm, plate warming
- Additional heating methods with microwave: Microwave, Combi microwave variable
- Max. Power: 900 W; 5 Microwave power settings (90 W,180 W,360 W,600 W,900 W)
- Fast preheat

#### Accessories

- 1 x combination grid, 1 x universal pan

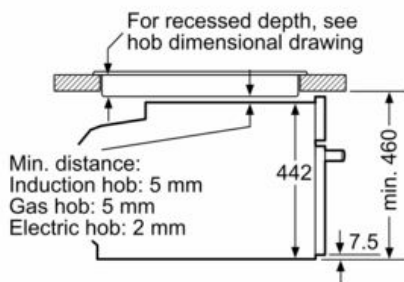
#### Performance/technical information

- Cavity volume: 45 litres
- Power cord length 150 cm Cable length
- Temperature range 30 °C - 275 °C
- Total connected load electric: 3.6 KW
- Nominal voltage: 220 - 240 V
- Appliance dimension (hxwxd): 455 mm x 594 mm x 548 mm
- Niche dimension (hxwxd): 450 mm - 455 mm x 560 mm - 568 mm x 550 mm
- Please refer to the dimensions provided in the installation manual

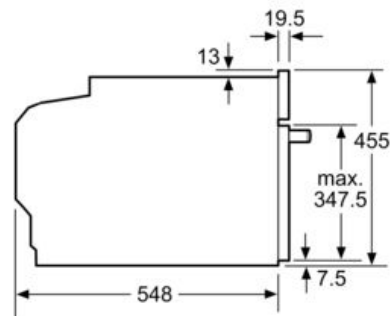
## iQ700, Built-in compact oven with microwave function, 60 x 45 cm, Stainless steel CM676GBS6B

### Dimensioned drawings

#### Installation with a hob.



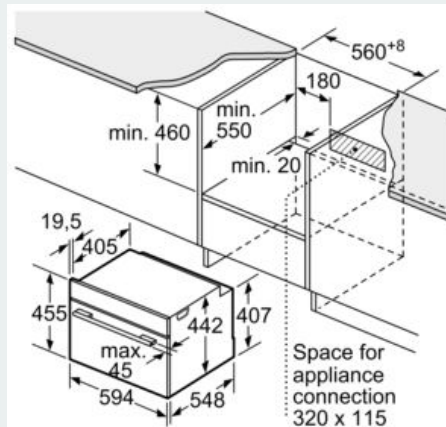
measurements in mm



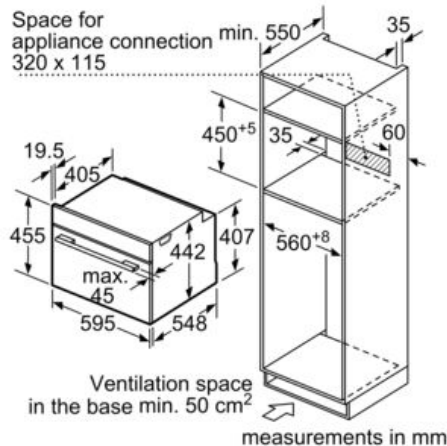
measurements in mm

If the compact appliance will be installed underneath a hob, the following worktop thicknesses (including substructure if necessary) must be taken into account.

Hob type	min. worktop thickness	
	fitted	flush
Induction hob	42 mm	43 mm
Full surface Induction hob	52 mm	53 mm
Gas hob	32 mm	43 mm
Electric hob	32 mm	35 mm



measurements in mm



measurements in mm