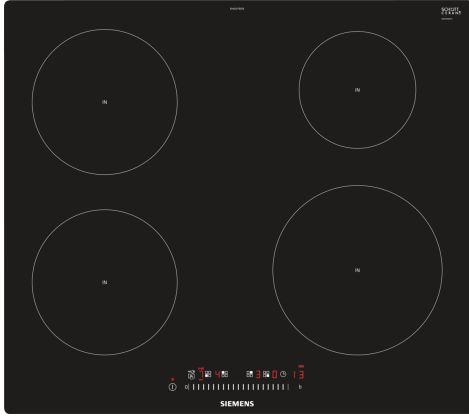


## iQ100, Induction hob, 60 cm, Black, EH601FEB1E



### Optional accessories

HZ390090	Wok Set consisting of 3 Items
HZ9E5100	Espresso maker 4 cups
HZ9FE280	Iron pan Ø 18 / 28 cm
HZ9SE030	Set of 2 pots and 1 pan
HZ9SE040	4 pieces Set
HZ9SE060	6 pieces Set

The induction cooktop – faster, safer, cleaner, more efficient cooking.

- ✓ The touchSlider allows the hob temperature to be controlled by entering it directly or by moving the slider with a single finger.
- ✓ powerBoost – Increases the power of an induction zone by up to 50%.
- ✓ Timer with cooking zone shut-off function
- ✓ The child safety lock safely prevents unintentional switch-on.
- ✓ More energy efficient cooking thanks to the Energy Consumption Display.

### Features

#### Technical Data

Product name/family: .....	Cooking zone ceramic
Design: .....	Built-in
Source of energy: .....	Electric
Number of cooking zones: .....	4
Width of the appliance: .....	572 mm
Dimensions: .....	56 x 572 x 512 mm
Dimensions of the packed product (HxWxD): ...	126 x 753 x 603 mm
Weight: .....	11.0 kg
Gross weight: .....	13.3 kg
Residual heat indicator: .....	Separate
Location of control panel: .....	Front
Basic surface material: .....	Ceramic
Color of surface: .....	Black
Length of electrical supply cord: .....	110.0 cm
EAN code: .....	4242003716045
Nominal power: .....	220-240 V
Frequency: .....	50; 60 Hz



## iQ100, Induction hob, 60 cm, Black, EH601FEB1E

### Features

#### Design

- Flush fitting design/installation
- 60 cm: space for 4 pots or pans.

#### Flexibility of cooking zones

- Cooking zone front left: 180 mm, 1.8 KW (max. power 3.1 KW)
- Cooking zone rear left: 180 mm, 1.8 KW (max. power 3.1 KW)
- Cooking zone rear right: 145 mm, 1.4 KW (max power 2.2 KW)
- Cooking zone front right: 210 mm, 2.2 KW (max. power 3.7 KW)

#### Usage convenience

- touchSlider control: directly control the power with the imprinted touch bar.
- 17 power levels: precisely adapt the heat with 17 power levels (9 main levels and 8 intermediate levels).
- Timer for all zones
- : switches off the cooking zone at the end of the time set (e.g. for boiled eggs).
- Acoustic signal
- : an alarm sounds at the end of the time set (e.g. for pasta).

#### Time saving & efficiency

- Power boost setting
- : boil water faster thanks to 50% more energy than at the highest standard level.
- quickStart function: when switching on, the hob automatically selects the cooking zone with cookware (when placed on a zone whilst the hob is off).
- reStart function: in case of unintentional switch-off, this feature restores all previous settings by switching on the hob again within 4 seconds.

#### Safety

- 2 stage residual heat indicators: indicates which cooking zones are still hot or warm.
- Control panel lock: prevent unintended activation of the hob.
- Control panel pause: wipe overboiled liquids without unintentionally changing settings (blocking all touch buttons for 30 seconds).
- Main on/off switch: switch off all cooking zones at the touch of a button.
- Required niche size for installation (HxWxD mm): 56 x 576 x 516
- Automatic safety switch off: for safety reasons, heating stops after a preset time if not used (possible to customise).
- Energy Consumption Display: shows the electricity consumption of the last cooking process.

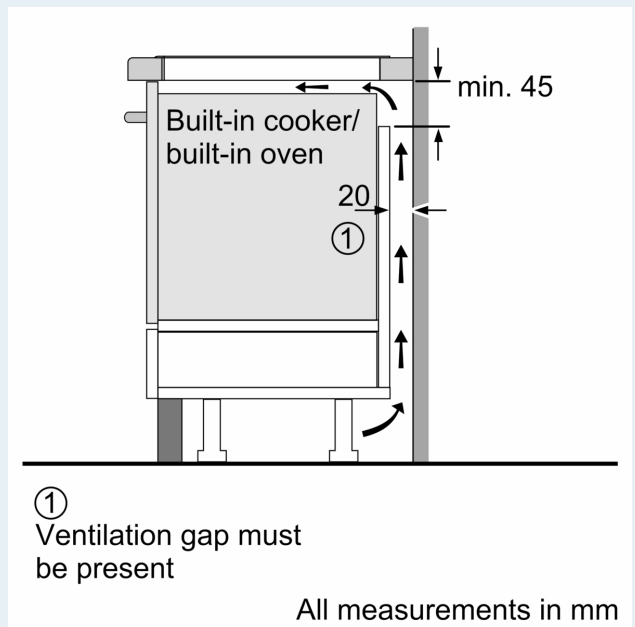
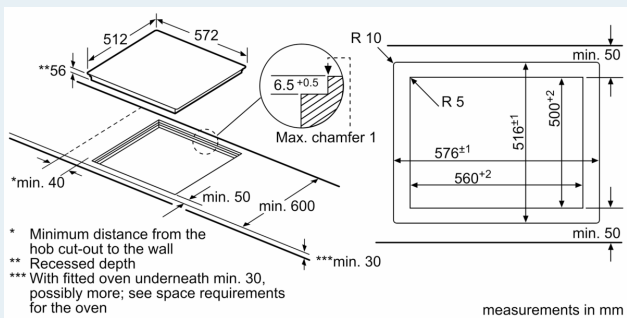
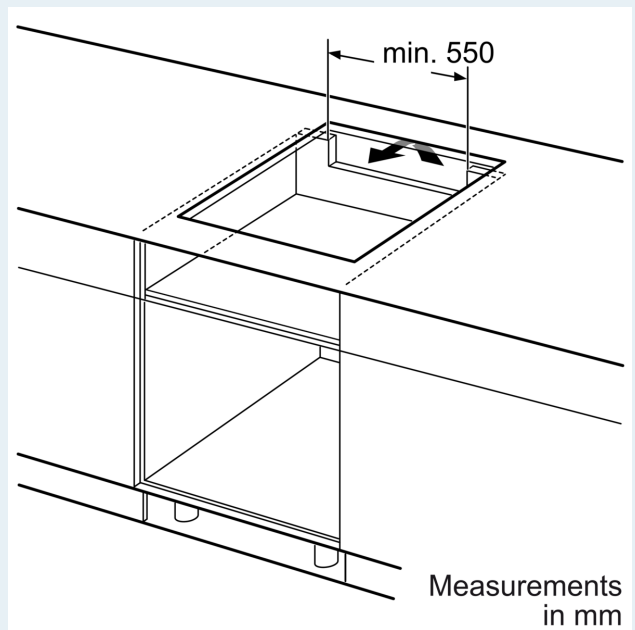
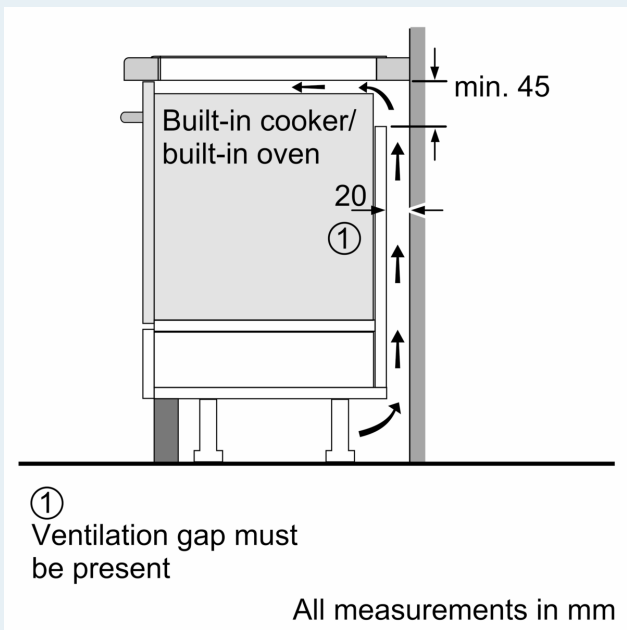
#### Installation

- Dimensions of the product (HxWxD mm): 56 x 572 x 512
- Min. worktop thickness: 16 mm
- Connected load: 7.4 KW
- Connection current management (20, 16, 13, 10 Amps options): limit the maximum power if needed (depends on fuse protection of electric installation).
- Power cord: 1.1 m, Cable included in packaging

- For installation in stone, granitic or synthetic worktops. Other worktop materials require a suitability check with the worktop manufacturer.

iQ100, Induction hob, 60 cm,  
Black,  
EH601FEB1E

Dimensioned drawings



Dimensioned drawings

