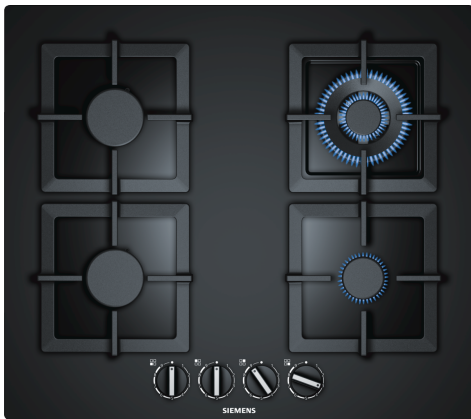


iQ500, Gas hob, 60 cm, Tempered glass, Black EP6A6HB20



Optional accessories

HZ211310	Simmer cap
HZ298105	Simmer plate
HZ298108	Wok ring
HZ298114	Small pot support

The gas hob with stepFlame Technology for precise flame control in nine steps.

- ✓ stepFlame Technology – Precise flame control with nine different settings.
- ✓ This wok burner with up to 3.5 kW of power (depending on gas type) is ideal for a wide variety of foods, even in large quantities.
- ✓ High-quality materials and workmanship – individual cast-iron pan supports.
- ✓ Biomethane ready – Power your gas hob with renewable biomethane gas.
- ✓ The extremely convenient sword knob makes it easy to control and monitor the power level selected.

Features

Technical Data

Product name/family: gas hob w integrated controls
 Design: Built-in
 Source of energy: Gas
 Number of cooking zones: 4
 Type of control setting devices:sword knobs
 Min. required niche size for installation (HxWxD):45 x 560-562 x 480-492 mm
 Width of the appliance: 590 mm
 Dimensions: 58 x 590 x 520 mm
 Dimensions of the packed product (HxWxD): ... 141 x 651 x 578 mm
 Weight: 14.6 kg
 Gross weight: 15.5 kg
 Residual heat indicator:without
 Location of control panel: Front
 Basic surface cooking material: Tempered glass
 Color of surface: Black
 Color of frame: Black
 Length of electrical supply cord: 100.0 cm
 EAN code:4242003742389
 Gas connection rating: 8000 W
 Fuse protection:3 A
 Nominal power: 220-240 V
 Frequency: 60; 50 Hz



iQ500, Gas hob, 60 cm, Tempered glass, Black EP6A6HB20

Features

Design

- Tempered Glass surface, black
- frameless design: install the hob either flush or slightly raised on the worktop
- Cast iron w rubber feet single

Usage convenience

- Step Flame technology - 9 steps: precisely control and adjust the flame in nine defined levels.
- Design co-ordinated control dials: easily access dials in front with strong grip for effortless turning.
- Ignition via control dials: just push and turn the dials to ignite the flame.

Burners and power

- 4 burner gas hob including:
- Left front: Standard burner up to 1.75 KW (depending on gas type)
- Left rear: Standard burner up to 1.75 KW (depending on gas type)
- Right rear: WOK burner up to 3.5 KW (depending on gas type)
- Right front: Economy burner up to 1 KW (depending on gas type)

Safety

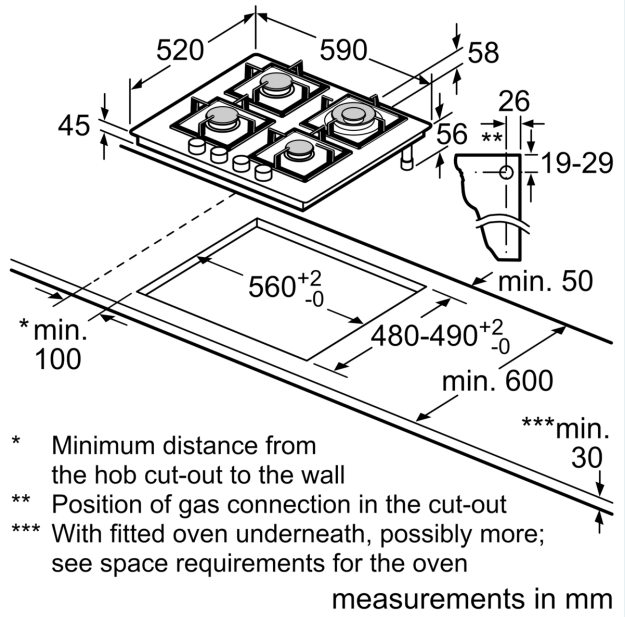
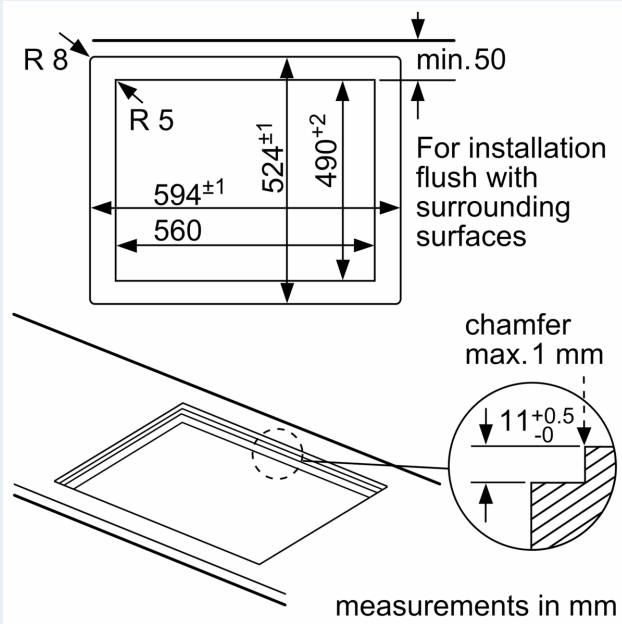
- Flame failure safety device: prevents unwanted gas flow when flame goes out.

Installation (gas types & measurements)

- Usable for: Liquid gas G30 37 mbar (PL)
- Nat gas L/LL G25/20mbar(DE) NG H/E 20mbar, E+ 20/25mbar Natural gas H 25 mbar (HU) Natural gas L 25 mbar (NL) Liquid gas G30,31 28-30/37mbar Liquid gas 50 mbar
- Factory set for connection to mains gas
- Nozzle set for LPG jets (28-30/37mbar) included. Nozzles for all other gas types can be ordered via the customer service. For nozzle change, please contact the customer service.
- Dimensions of the product (HxWxD mm): 58 x 590 x 520
- Required niche size for installation (HxWxD mm) : 45 x 560 x (480 - 492)
- Min. worktop thickness: 30 mm
- Power cord: 1 m
- Connected load: 8 KW

iQ500, Gas hob, 60 cm, Tempered glass, Black
EP6A6HB20

Dimensioned drawings



- * Minimum distance from the hob cut-out to the wall
- ** Position of gas connection in the cut-out
- *** With fitted oven underneath, possibly more; see space requirements for the oven