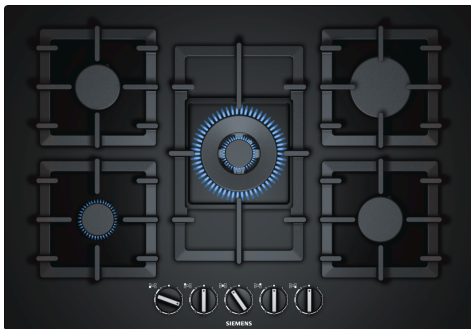


## iQ500, Gas hob, 75 cm, Tempered glass, Black EP7A6QB90



### Optional accessories

HZ211310	Simmer cap
HZ298105	Simmer plate
HZ298107	Wok ring
HZ298114	Small pot support

The gas hob with stepFlame Technology for precise flame control in nine steps.

- ✓ stepFlame Technology – Precise flame control with nine different settings.
- ✓ This wok burner with 4.0 kW of power is ideal for a wide variety of foods, even in large quantities.
- ✓ High-quality materials and workmanship – continuous cast-iron pan supports.
- ✓ Biomethane ready – Power your gas hob with renewable biomethane gas.
- ✓ The extremely convenient sword knob makes it easy to control and monitor the power level selected.

### Features

#### Technical Data

Product name/family: ..... gas hob w  
integrated controls  
Design: ..... Built-in  
Source of energy: ..... Gas  
Number of cooking zones: ..... 5  
Type of control setting devices: .....sword knobs  
Min. required niche size for installation (HxWxD): ....45 x 560-562 x  
480-492 mm  
Width of the appliance: ..... 752 mm  
Dimensions: ..... 58 x 752 x 520 mm  
Dimensions of the packed product (HxWxD): ... 145 x 793 x 597 mm  
Weight: ..... 19.0 kg  
Gross weight: ..... 20.5 kg  
Residual heat indicator: .....without  
Location of control panel: ..... Front  
Basic surface material: ..... Tempered glass  
Color of surface: ..... Black  
Color of frame: ..... Black  
Length of electrical supply cord: ..... 100.0 cm  
EAN code: .....4242003742549  
Gas connection rating: ..... 11500 W  
Fuse protection: .....3 A  
Nominal power: ..... 220-240 V  
Frequency: ..... 60; 50 Hz



## iQ500, Gas hob, 75 cm, Tempered glass, Black EP7A6QB90

### Features

#### Design

- Tempered Glass surface, black
- frameless design: install the hob either flush or slightly raised on the worktop
- Cast iron pan supports with rubber feet

#### Usage convenience

- Step Flame technology - 9 steps: precisely control and adjust the flame in nine defined levels.
- Design co-ordinated control dials: easily access dials in front with strong grip for effortless turning.
- Ignition via control dials: just push and turn the dials to ignite the flame.

#### Burners and power

- 5 burner gas hob including:
  - Left front: Economy burner up to 1 KW (depending on gas type)
  - Left rear: Standard burner up to 1.75 KW (depending on gas type)
  - Center front: wok burner up to 4 KW (depending on gas type)
  - Right rear: High-speed burner up to 3 KW (depending on gas type)
  - Right front: Standard burner up to 1.75 KW (depending on gas type)

#### Safety

- Flame failure safety device: prevents unwanted gas flow when flame goes out.

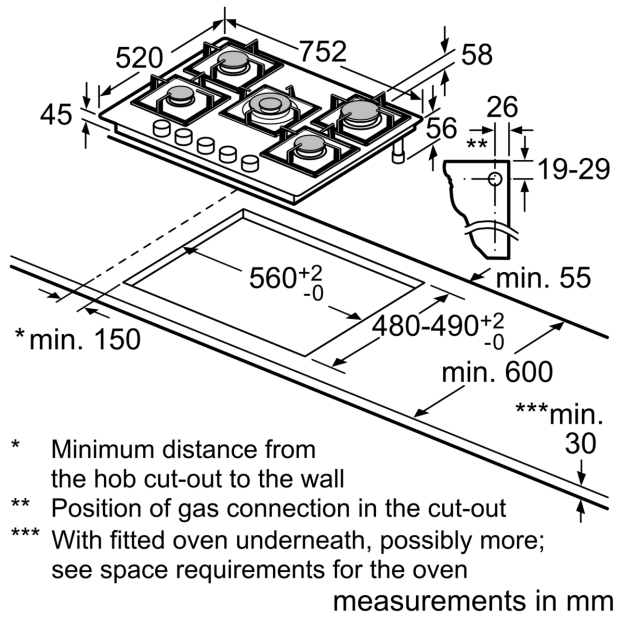
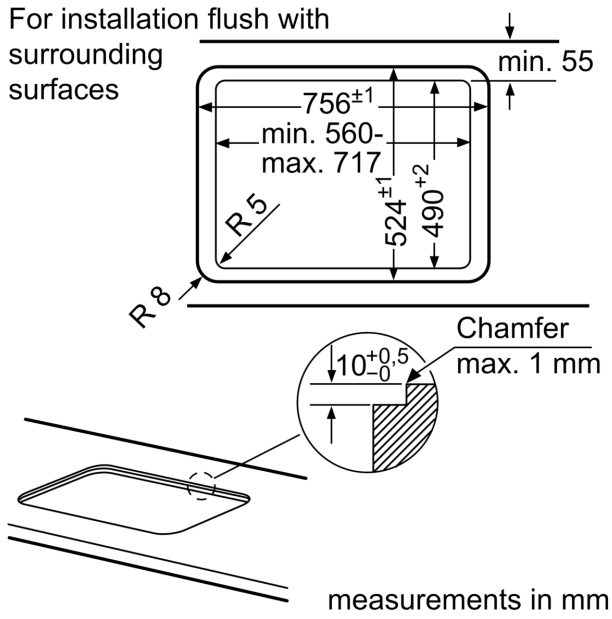
#### Installation (gas types & measurements)

- Usable for: Nat gas L/LL G25/20mbar(DE)
- NG H/E 20mbar, E+ 20/25mbar Natural gas H 25 mbar (HU) Natural gas L 25 mbar (NL) Liquid gas G30,31 28-30/37mbar Liquid gas G30 37 mbar (PL) Liquid gas 50 mbar
- Factory set for connection to mains gas
- Nozzle set for LPG jets (28-30/37mbar) included. Nozzles for all other gas types can be ordered via the customer service. For nozzle change, please contact the customer service.
- Dimensions of the product (HxWxD mm): 58 x 752 x 520
- Required niche size for installation (HxWxD mm) : 45 x 560 x (480 - 492)
- Min. worktop thickness: 30 mm
- Power cord: 1 m
- Connected load: 11.5 KW

iQ500, Gas hob, 75 cm, Tempered glass, Black  
EP7A6QB90

Dimensioned drawings

For installation flush with surrounding surfaces



- \* Minimum distance from the hob cut-out to the wall
- \*\* Position of gas connection in the cut-out
- \*\*\* With fitted oven underneath, possibly more; see space requirements for the oven