

**iQ500, Modular Teppan Yaki, 40 cm**  
**ET475FYB1E**



Included accessories	
2 x spatula	
Optional accessories	
HZ394301	Connecting strip

Very fast heating and great for flash-frying, the Teppan yaki is design for traditional Japanese cooking at home.

- ✓ The 40 cm wide teppanyaki is ideal for combining with other Domino or faceted design cooktops to create a bespoke cooking area.
- ✓ Depending on the requirements and quantities the two cooking zones can be heated together or separately.
- ✓ The touchSlider allows the hob temperature to be controlled by entering it directly or by moving the slider with a single finger.
- ✓ Easily keeps all dishes at a warm 70°C.
- ✓ Heats to 40°C so that grease deposits can be removed more easily.

Features	
<b>Technical Data</b>	
Product name/family:	Vario/Domino Teppan Yaki
Design:	Built-in
Source of energy:	Electric
Control panel:	Electronic
Grill grating material:	None
Min. required niche size for installation (HxWxD):	90 x x mm
Width of the appliance:	392 mm
Dimensions:	90 x 392 x 520 mm
Dimensions of the packed product (HxWxD):	240 x 480 x 610 mm
Weight:	10.2 kg
Gross weight:	12.3 kg
Residual heat indicator:	Separate
Location of control panel:	Front
Basic surface material:	None
Color of surface:	Stainless steel, Alu, brushed
Length of electrical supply cord:	100.0 cm
EAN code:	4242003689127
Fuse protection:	13 A
Nominal power:	220-240 V
Frequency:	50; 60 Hz
Included accessories:	2 x spatula



## iQ500, Modular Teppan Yaki, 40 cm ET475FYB1E

### Features

#### Flexibility of cooking zones

- Big stainless steel roast area.
- Frying area can be heated complete or halfway.
- Cooking zone front middle: 292-344 mm, 0.95 KW

#### Usage convenience

- touchSlider: directly control the power with imprinted touch bar.
- 17 power levels: precisely adapt the heat with 17 power levels (9 main levels and 8 intermediate levels).
- Keep warm function: Keep Warm Function: keep dishes warm at preset low power level.
- Acoustic signal
  - : an alarm sounds at the end of the time set (e.g. for pasta).
- Count up timer
  - : shows how much time has passed since starting the timer (e.g. for potatoes).
- Thermostat can be set between 160-240 °C in steps of 10° C.
- Special level for keeping warm (70°C).
- Special level for cleaning (40°C).
- Display of the heat up phase.

#### Time saving & efficiency

- reStart function: in case of unintentional switch-off, this feature restores all previous settings by switching on the hob again within 4 seconds.

#### Design

- Stainless Steel side trim with bevelled front edge
- Removable black glass lid.

#### Safety

- 2 stage residual heat indicators: indicates which cooking zones are still hot or warm.
- Control panel lock: prevent unintended activation of the hob.
- Control panel pause: wipe overboiled liquids without unintentionally changing settings (blocking all touch buttons for 30 seconds).
- Main on/off switch: switch off all cooking zones at the touch of a button.
- Power on indicator: indicates if the hob is heating.
- Automatic safety switch off: for safety reasons, heating stops after a preset time if not used (possible to customise).
- Energy Consumption Display: shows the electricity consumption of the last cooking process.

#### Installation

- Dimensions of the product (HxWxD mm): 90 x 392 x 520
- Required niche size for installation (HxWxD mm) : 90 x 360 x (490 - 500)
- Min. worktop thickness: 30 mm
- Connected load: 1.9 KW
- Power cord: 1 m, Cable included

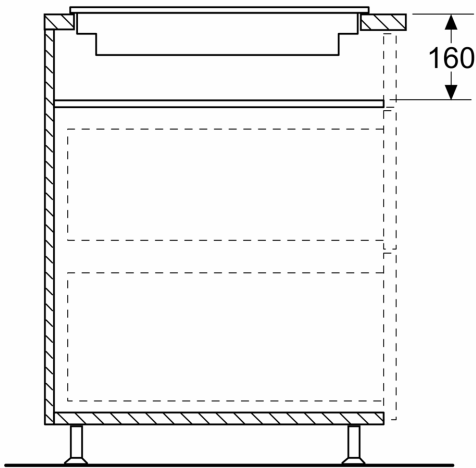
#### Accessories

- spatula included

iQ500, Modular Teppan Yaki, 40 cm  
ET475FYB1E

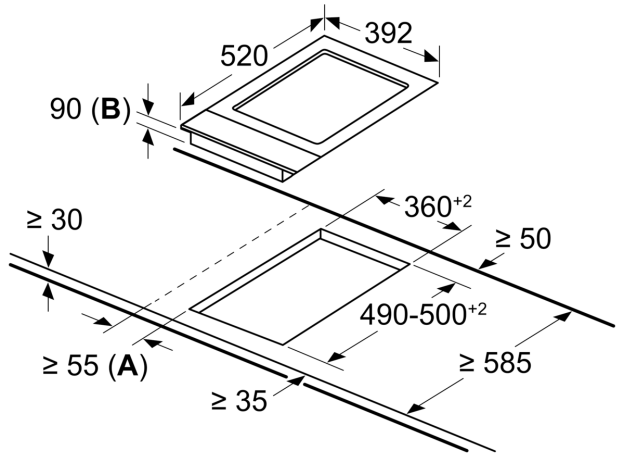
Dimensioned drawings

Measurements in mm



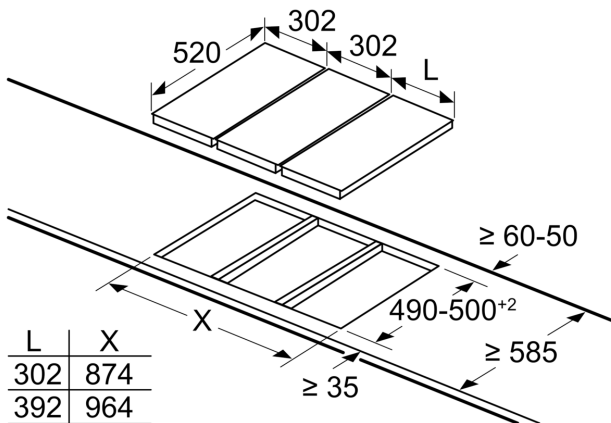
An intermediate floor must be installed below the appliance in accordance with the installation drawing

measurements in mm



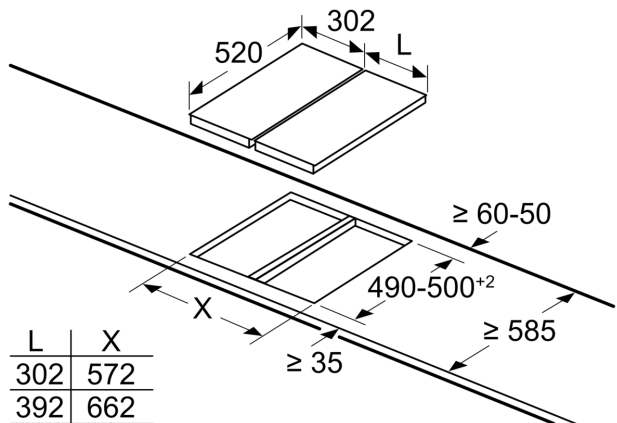
**A:** Minimum distance from the hob cut-out to the wall  
**B:** Maximum recessed depth

measurements in mm



When installing two or more Domino units side-by-side, one or more assembly kits are required (2 units = 1 assembly kit, 3 units = 2 assembly kits, etc.).

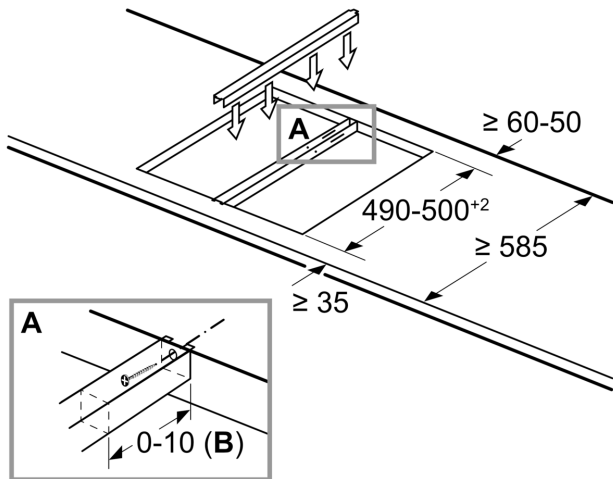
measurements in mm



When installing two or more Domino units side-by-side, one or more assembly kits are required (2 units = 1 assembly kit, 3 units = 2 assembly kits, etc.).

## Dimensioned drawings

### measurements in mm Assembly kit (HZ394301) for Domino



**B:** Dependent on the cut-out depth

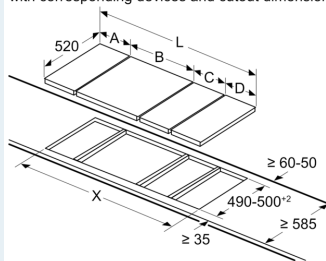
### measurements in mm Domino combination options with corresponding appliance and cut-out dimensions

Width category: 30 40 60 70 80 90  
Appliance width: 302 392 602 710 812 912

	A	B	C	D	L	X
2x30	302	302	-	-	604	572
1x30, 1x40	302	392	-	-	694	662
1x30, 1x60	302	602	-	-	904	872
1x30, 1x70*	302	710	-	-	1012	980
1x30, 1x80	302	812	-	-	1114	1082
1x30, 1x90	302	912	-	-	1214	1182
2x40	392	392	-	-	784	752
1x40, 1x60	392	602	-	-	994	962
1x40, 1x70*	392	710	-	-	1102	1070
1x40, 1x80	392	812	-	-	1204	1172
1x40, 1x90	392	912	-	-	1304	1272
3x30	302	302	302	-	906	874
2x30, 1x40	302	302	392	-	996	964
2x30, 1x60	302	302	602	-	1206	1174
2x30, 1x70*	302	302	710	-	1314	1282
2x30, 1x80	302	302	812	-	1416	1384
2x30, 1x90	302	302	912	-	1516	1484
1x30, 2x40	302	392	392	-	1086	1054
1x30, 1x40, 1x60	302	392	602	-	1296	1264
1x30, 1x40, 1x70*	302	392	710	-	1404	1372
1x30, 1x40, 1x80	302	392	812	-	1506	1474
1x30, 1x40, 1x90	302	392	912	-	1606	1574
3x40	392	392	392	-	1176	1144
2x40, 1x60	392	392	602	-	1386	1354
4x30	302	302	302	302	1208	1176
3x30, 1x40	302	302	302	392	1298	1266
2x30, 2x40	302	302	392	392	1388	1356
1x30, 3x40	302	392	392	392	1478	1446
1x30, 1x75	302	750	-	-	1052	1016
1x40, 1x75	392	750	-	-	1142	1106
2x30, 1x75	302	302	750	-	1354	1318
1x30, 1x40, 1x75	302	392	750	-	1444	1408

\* Not possible with 70 cm induction hob

### measurements in mm Picture for the table Domino combination possibilities with corresponding devices and cutout dimensions



If two or more elements are installed right next to one another, one or several installation kits are required (2 elements 1 installation kit, 3 elements 2 installation kits, etc.).

Cutout dimension (X) depending on the combination see table: