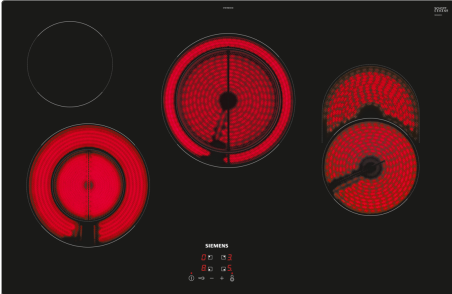


## iQ300, Electric hob, 80 cm, Black, ET81RBHA1D



### Optional accessories

HZ392800	Intermediate bottom
HZ9FE280	Iron pan Ø 18 / 28 cm
HZ9SE030	Set of 2 pots and 1 pan

The modern glass ceramic cooktop for more cooking pleasure and less cleaning effort.

- ✓ Space for large pots and roasting pans thanks to the 21 cm and 23 cm two-ring cooking zones and extendable roasting zone.
- ✓ Space for large roasting pans thanks to the extendable roasting zone.
- ✓ touchControl makes the control of your cooktop especially convenient, just by the touch of a finger.
- ✓ The child safety lock safely prevents unintentional switch-on.

### Features

#### Technical Data

Product name/family: .....	Cooking zone ceramic
Design: .....	Built-in
Source of energy: .....	Electric
Number of cooking zones: .....	4
Min. required niche size for installation (HxWxD): ....	45 x 780-780 x 500-500 mm
Width of the appliance: .....	802 mm
Dimensions: .....	45 x 802 x 522 mm
Dimensions of the packed product (HxWxD): .	100 x 1130 x 620 mm
Weight: .....	9.7 kg
Gross weight: .....	11.4 kg
Residual heat indicator: .....	Separate
Location of control panel: .....	Front
Basic surface material: .....	Ceramic
Color of surface: .....	Black
EAN code: .....	4242003899496
Nominal power: .....	220-240 V
Frequency: .....	50; 60 Hz



## iQ300, Electric hob, 80 cm, Black, ET81RBHA1D

### Features

#### Flexibility of cooking zones

- Ring zone roaster: use roasters on the extendable cooking zone.
- Ring zone double: use regular or larger cookware on the extendable cooking zone.
- Cooking zone front left: 120 mm, 210 mm, 0.75 KW
- Cooking zone rear left: 145 mm, 1.2 KW
- Cooking zone middle: 180 mm, 230 mm, 1.5 KW
- Cooking zone front right: 170 mm, 265 mm, 1.8 KW

#### Usage convenience

- touchControl: control the power with imprinted +/- touch buttons.
- 17 power levels: precisely adapt the heat with 17 power levels (9 main levels and 8 intermediate levels).

#### Time saving & efficiency

- reStart function: in case of unintentional switch-off, this feature restores all previous settings by switching on the hob again within 4 seconds.
- quickStop: quickly switch off a cooking zone with one longer touch.

#### Design

- frameless design
- 80 cm: space for 4 pots or pans.

#### Safety

- 2 stage residual heat indicators: indicates which cooking zones are still hot or warm.
- Control panel lock: prevent unintended activation of the hob.
- Main on/off switch: switch off all cooking zones at the touch of a button.
- Power on indicator: indicates if the hob is heating.
- Automatic safety switch off: for safety reasons, heating stops after a preset time if not used (possible to customise).

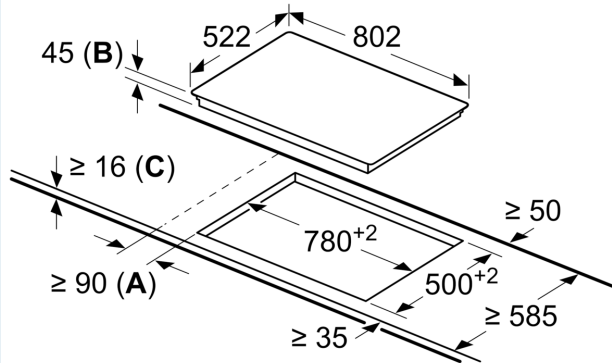
#### Installation

- Dimensions of the product (HxWxD mm): 45 x 802 x 522
- Min. worktop thickness: 16 mm
- Connected load: 7.4 KW

## iQ300, Electric hob, 80 cm, Black, ET81RBHA1D

### Dimensioned drawings

measurements in mm



- A:** Minimum distance from the hob cut-out to the wall.
- B:** Recessed depth
- C:** With fitted oven underneath min. 20, possibly more; see space requirements for the oven.