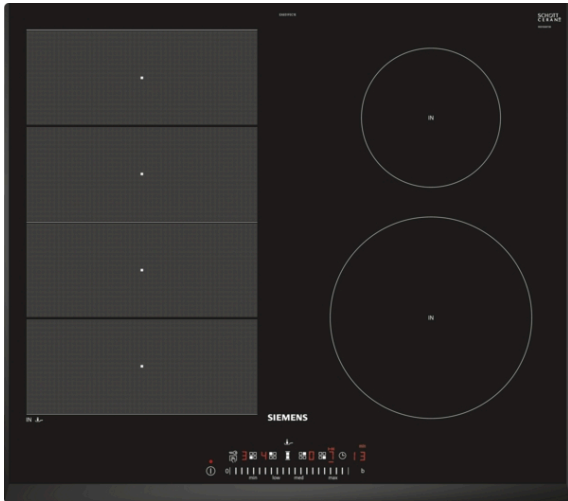


iQ700, Induction hob, 60 cm, Black, EX651FEC1E



Siemens flexInduction cooktop is designed for greater flexibility when cooking

- ✓ flexInduction – Smart cooking zone that adapts to your cookware.
- ✓ The touchSlider allows the hob temperature to be controlled by entering it directly or by moving the slider with a single finger.
- ✓ fryingSensor – Avoids scorching by keeping your pan temperature constant.
- ✓ powerBoost – Increases the power of an induction zone by up to 50%.
- ✓ Timer with cooking zone shut-off function

Features

Technical Data

Product name/family : Cooking zone ceramic
 Construction type : Built-in
 Energy input : Electric
 Total number of positions that can be used at the same time : 4
 Min. required niche size for installation (HxWxD) : 51 x 560-560 x 490-500 mm
 Width of the appliance : 592 mm
 Dimensions : 51 x 592 x 522 mm
 Dimensions of the packed product (HxWxD) : 126 x 753 x 603 mm
 Net weight : 12.4 kg
 Gross weight : 14.6 kg
 Residual heat indicator : Separate
 Location of control panel : Hob front
 Basic surface material : Ceramic
 Color of surface : Black
 Length of electrical supply cord : 110.0 cm
 EAN code : 4242003716786
 Voltage : 220-240 V
 Frequency : 50; 60 Hz

Optional accessories

HZ9SE040	4 pieces Set
HZ9SE030	Set of 2 pots and 1 pan
HZ390522	Griddle Plate
HZ390512	Teppan Yaki (large)
HZ390012	Steaming Rack for Stainless Steel roaste
HZ390011	Stainless Steel roaster with glas lid



iQ700, Induction hob, 60 cm, Black, EX651FEC1E

Features

Design

- 3 sided bevelled frameless finish
- 60 cm: space for 4 pots or pans.

Flexibility of cooking zones

- flexInduction zone: use cookware of any shape or size anywhere within the 40cm long zone.
- Cooking zone front left: 240 mm, 200 mm, 2.2 KW (max. power 3.7 KW)
- Cooking zone rear left: 240 mm, 200 mm, 2.2 KW (max. power 3.7 KW)
- Cooking zone rear right: 145 mm , 1.4 KW (max power 2.2 KW)
- Cooking zone front right: 210 mm, 2.2 KW (max. power 3.7 KW)

Usage convenience

- touchSlider control: directly control the power with the imprinted touch bar.
- 17 power levels: precisely adapt the heat with 17 power levels (9 main levels and 8 intermediate levels).
- Timer for all zones
- : switches off the cooking zone at the end of the time set (e.g. for boiled eggs).
- Acoustic signal
- : an alarm sounds at the end of the time set (e.g. for pasta).

Time saving & efficiency

- Power boost setting
- : boil water faster thanks to 50% more energy than at the highest standard level.
- quickStart function: when switching on, the hob automatically selects the cooking zone with cookware (when placed on a zone whilst the hob is off).
- reStart function: in case of unintentional switch-off, this feature restores all previous settings by switching on the hob again within 4 seconds.

Cooking assistance

- fryingSensor with 4 temperature settings: prevents overcooking with the automatic temperature regulation of the integrated sensor.

Safety

- 2 stage residual heat indicators: indicates which cooking zones are still hot or warm.
- Control panel lock: prevent unintended activation of the hob.
- Control panel pause: wipe overboiled liquids without unintentionally changing settings (blocking all touch buttons for 30 seconds).
- Main on/off switch: switch off all cooking zones at the touch of a button.
- Automatic safety switch off: for safety reasons, heating stops after a preset time if not used (possible to customise).
- Energy Consumption Display: shows the electricity consumption of the last cooking process.

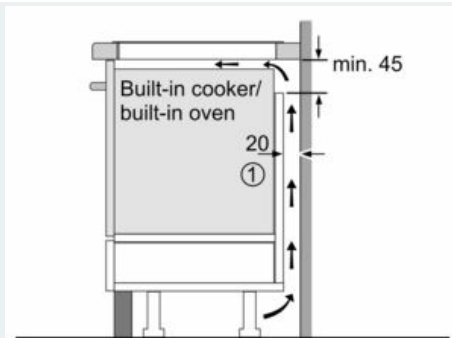
Installation

- Dimensions of the product (HxWxD mm): 51 x 592 x 522
- Required niche size for installation (HxWxD mm) : 51 x 560 x (490 - 500)
- Min. worktop thickness: 16 mm

- Connected load: 7.4 KW
- Connection current management (20, 16, 13, 10 Amps options): limit the maximum power if needed (depends on fuse protection of electric installation).
- Power cord: 1.1 m, Cable included in packaging

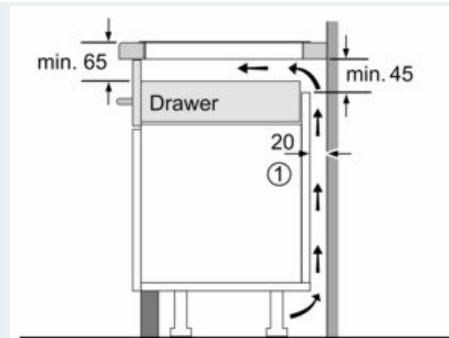
iQ700, Induction hob, 60 cm, Black, EX651FEC1E

Dimensioned drawings



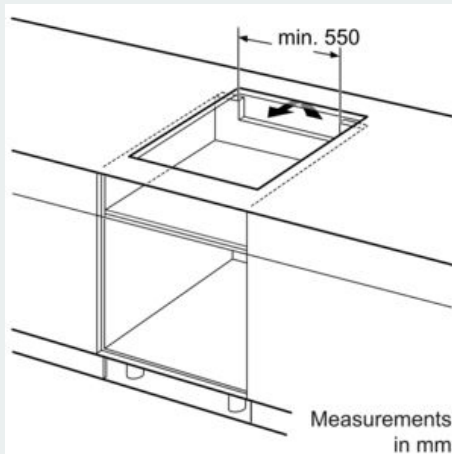
① Ventilation gap must be present

All measurements in mm

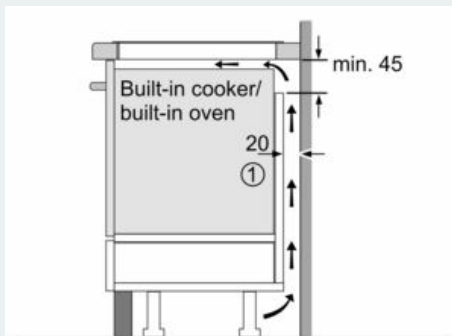
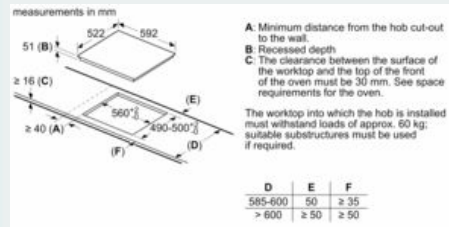


① Ventilation gap must be present.

Measurements in mm



Measurements in mm



① Ventilation gap must be present

All measurements in mm