

**iQ500, Built-in freezer, 87.4 x 55.8 cm, flat hinge
GI21VAFE0**



built-in freezer with 3 handy transparent freezer drawers and superFreezing for freezing foods faster.

- ✓ lowFrost – Less frost build-up saves energy and effort when defrosting.
- ✓ The bigBox offers plenty of space to store and stack large frozen items efficiently.
- ✓ 3 transparent freezer drawers provide plenty of space and an optimum view.

Features

Technical Data

Energy Efficiency Class: E
 Average annual energy consumption in kilowatt hour per year (kWh/a): 176 kWh/annum
 Sum of volume of frozen compartments: 96 l
 Airborne acoustical noise emissions : 36 dB(A) re 1 pW
 Airborne acoustical noise emission class: C
 Thermometer freeze section: None
 Light: No
 Product category: Upright freezer
 Design: Built-in
 Door panel options: Not possible
 Frost free system: No
 Height of the appliance: 874 mm
 Width of the appliance: 558 mm
 Dimensions: 545 mm
 Dimensions of the packed product (HxWxD): ... 950 x 620 x 640 mm
 Weight: 39.9 kg
 Gross weight: 42.6 kg
 Connection Rating: 90 W
 Fuse protection: 10 A
 Frequency: 50 Hz
 Length of electrical supply cord: 230.0 cm
 Door opening: Right reversible
 Defrost process: manual
 Warning signal / malfunction: Both visual and audible
 Door lock: No
 Number of drawers/baskets (Stck): 3
 Number of freezing flaps (Stck): 0
 EAN code: 4242003848289
 Brand: Siemens
 Product name / Commercial code: GI21VAFE0
 Product category: Upright freezer
 Included accessories: 1 x ice cube tray



Included accessories

1 x ice cube tray

Optional accessories

KF20ZAX0 Door panel with decor frame
 KF20ZSX0 Stainless steel door panel

iQ500, Built-in freezer, 87.4 x 55.8 cm, flat hinge GI21VAFE0

Features

Functions

- Fixed hinge
- Fixed hinge

Design features

- lowFrost - less ice creation and therefore quicker defrosting - less ice build up, faster defrosting
- SuperFreeze function with automatic deactivation
- Electronic control (LED chain)
- Freezer malfunction warning signal: optical, acoustical
- VitaControl - constant temperature by intelligent sensor technology - Constant temperature control by intelligent sensor technology

Food freshness system

- 3 transparent freezer drawers, 1 bigbox

Key features - Fridge section

- Right hinged door, reversible door
- Connection value 90 W
- 220 - 240 V

Dimension and installation

- Dimensions: 87.4 cm H x 55.8 cm W x 54.5 cm D
- Niche Dimensions: 88 cm H x 56 cm W x 55 cm D

Key features - Freezer section

- ice cube tray

Design features

Dimension and installation

Country Specific Options

- Based on the results of the standard 24-hour test. Actual consumption depends on usage/position of the appliance.

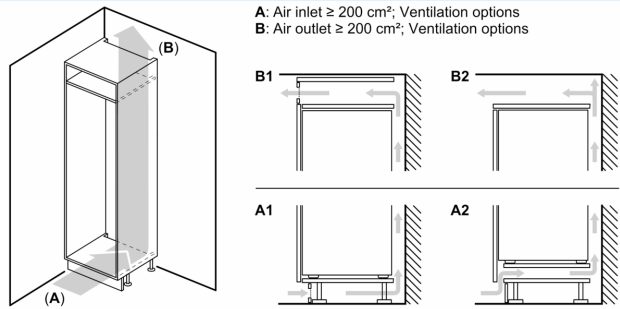
Additional features

Performance and Consumption

- EU19_EEK_D: E
- Total Volume : 96 l
- Net Fridge Volume : 0 l
- Net Freezer Volume : 96 l
- Freezing capacity 24h : 5 kg
- Annual Energy Consumption: 176 kWh/a
- Climate Class: SN-T
- Noise Level : 36 dB , EU19_Noise emission class_D: C
- Temperature rise time : EU19_Temperature rise time_D: 13 H

**iQ500, Built-in freezer, 87.4 x 55.8 cm, flat hinge
GI21VAFE0**

Dimensioned drawings

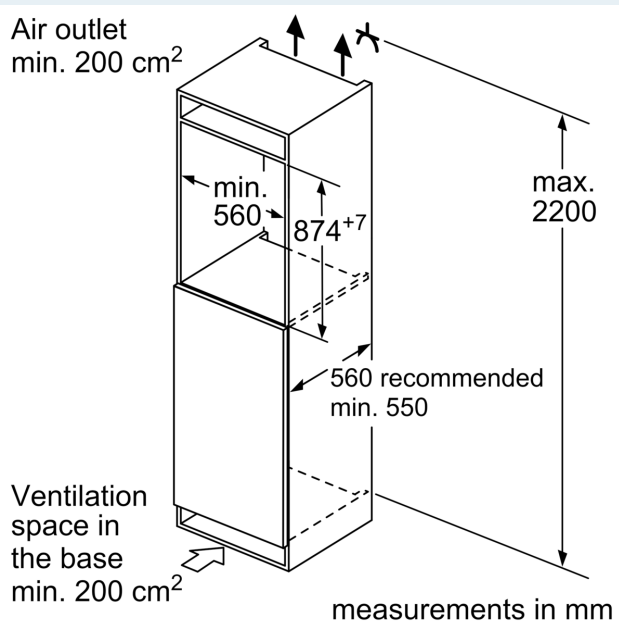
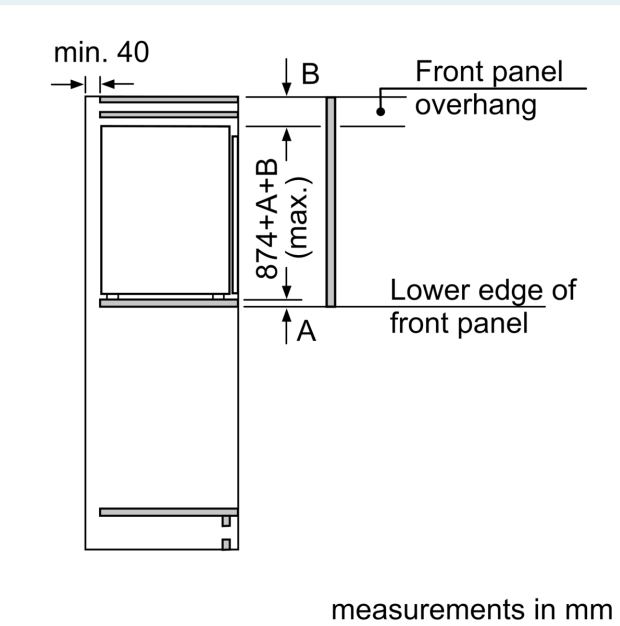


Maximal permissible weight of the unit fronts

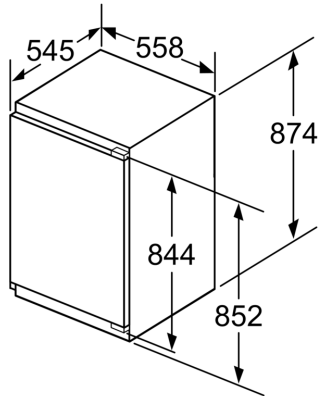
Fitted unit fronts that exceed the permissible weight may cause damage and result in functional impairment of the hinges

Δ: Weight
A: Appliance door height including hinges in mm
B: Undamped hinge, unit front in kg
C: Damped hinge, unit front in kg
D: Additional possible load in kg with heavy load kit

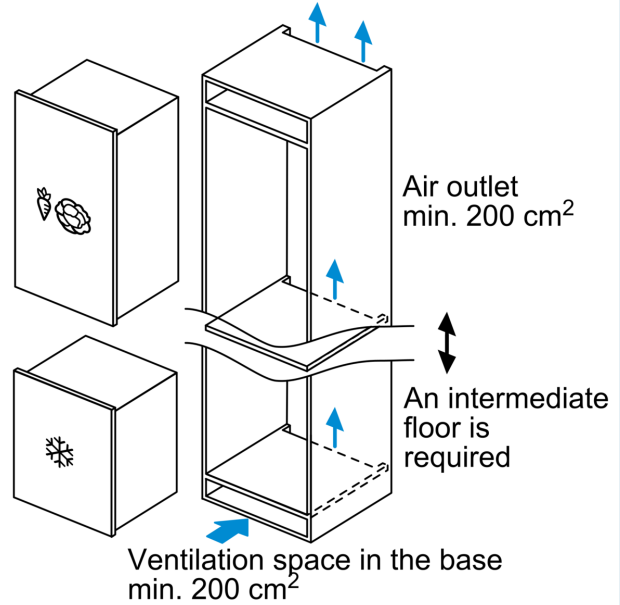
A	B	C	D
1500-1750	22	22	B+5 / C+5
720-1400	19	19	
A1	15	19	
A2	15	19	



Dimensioned drawings

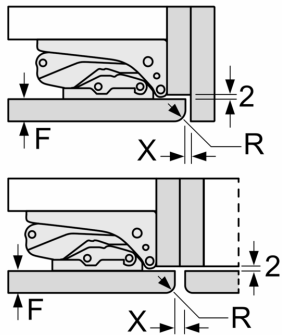


measurements in mm



measurements in mm

Recommended gap dimensions for flat hinges



	F	R	X
16-19	0-3	2.5	
	20	0-1	3
21	2-3	2.5	
	0-1	3	
22	2-3	2.5	
	0	4	
	1	3.5	
	2-3	3	

The gap dimensions recommended in the table must be adhered to in order to ensure that appliance doors do not collide with anything when they are opened, and to avoid causing damage to kitchen units.