

iQ700, Built-in oven with microwave function, 60 x 60 cm, Stainless steel HM676G0S6B



Shorten your cooking time thanks to varioSpeed, fast preheat and activeClean. And remote your oven from anywhere with Home Connect.

- ✓ varioSpeed – Prepare excellent dishes up to 50% faster.
- ✓ fastPreheat – Heat the oven quickly. coolStart – Eliminate preheating for frozen foods.
- ✓ activeClean® – The automatic, self-cleaning oven system.
- ✓ Home Connect – Experience the intelligent kitchen via app.
- ✓ cookControl Plus – Build success into your baking.

Features

Technical Data

Type of micro-wave oven : MW-Combi
 Type of control : Electronic
 Color / Material Front : Stainless steel
 Dimensions : 595 x 594 x 548 mm
 Cavity dimensions : 357.0 x 480 x 392.0 mm
 Length of electrical supply cord : 120.0 cm
 Net weight : 43.3 kg
 Gross weight : 46.7 kg
 EAN code : 4242003765906
 Maximum micro-wave power : 800 W
 Connection rating : 3600 W
 Fuse protection : 16 A
 Voltage : 220-240 V
 Frequency : 50; 60 Hz
 Plug type : no plug (electrical connection by electrician)
 Cavity dimensions : 357.0 x 480 x 392.0 mm
 Included accessories : 2 x combination grid, 1 x universal pan



Included accessories

- 2 x combination grid
- 1 x universal pan

Optional accessories

- HZ915003 Glass roasting dish, 5,4 L
- HZ636000 Glass pan
- HZ634080 Baking and roasting grid (microwave)
- HZ631070 Baking tray, anthracite enamelled
- HZ531010 Baking tray, non-stick ceramic coated

iQ700, Built-in oven with microwave function, 60 x 60 cm, Stainless steel HM676G0S6B

Features

Design

- 3.7" TFT touchDisplay
- Cavity inner surface: enamel anthracite
- Drop down oven door, softClose, softOpen
-
- Stainless steel control dial
- Bar handle
- We recommend you to choose complementary products within iQ700, in order to assure an optimal design combination of your Built-In appliances.

Features

- Intelligent microwave inverter technology: For optimised results maximum output power will be regulated to 600 W when used in longer operation for gentler cooking.
- Digital temperature display with proposal
- Actual temperature display Heating-up indicator
- Electronic door lock
- Control panel lock Automatic safety switch off Residual heat indicator Start button Door contact switch
- WLAN - Home connect enabled
- cookControl Plus
- Electronic oven clock timer
- Integral cooling fan
- LED light, Light on/off when door opened/closed
- 5 shelf positions in oven

Cleaning

- activeClean

Programmes/functions

- Oven with microwave with 13 main functions heating methods: 4D hot air, hotairGentle, conventional top & bottom heating, Conventional heat Gentle, hot air grilling, full width grill, half width grill, Pizza setting, coolStart, bottom heat, low temperature cooking, keep warm, plate warming
- Additional heating methods with microwave: Microwave, Combi microwave variable
- Fast preheat

Accessories

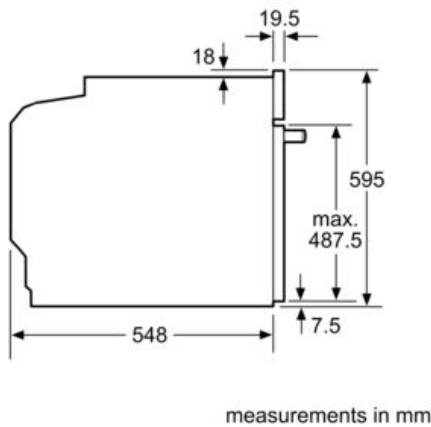
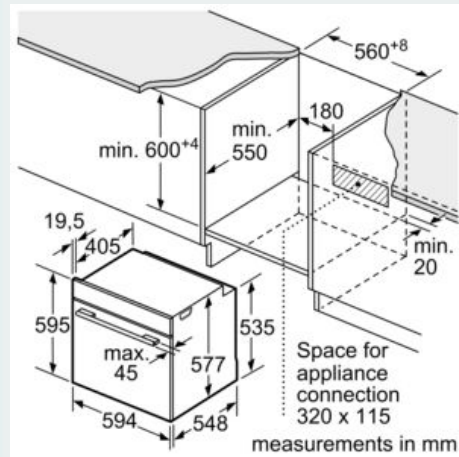
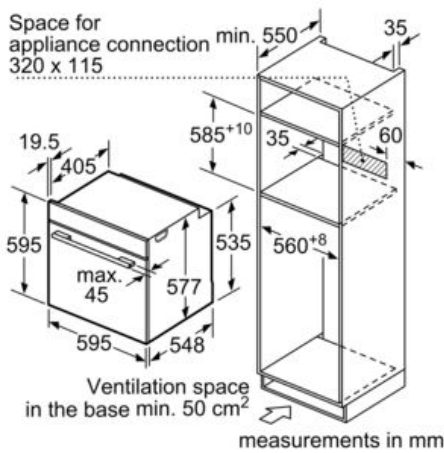
- 1 level telescopic shelf, pyrolytic proof
- 2 x combination grid, 1 x universal pan

Technical information

- Cavity volume: 67 litres
- Temperature range 30 °C - 275 °C
- Total connected load electric: 3.6 KW
- 120 cm Cable length
- Nominal voltage: 220 - 240 V
- Appliance dimension (hxwx): 595 mm x 594 mm x 548 mm
- Niche dimension (hxwx): 585 mm - 595 mm x 560 mm - 568 mm x 550 mm
- Please refer to the dimensions provided in the installation manual

iQ700, Built-in oven with microwave function, 60 x 60 cm, Stainless steel HM676G0S6B

Dimensioned drawings



If the appliance will be installed underneath a hob, the following worktop thicknesses (including substructure if necessary) must be taken into account.

Hob type	min. worktop thickness	
	fitted	flush
Induction hob	37 mm	38 mm
Full surface Induction hob	47 mm	48 mm
Gas hob	30 mm	38 mm
Electric hob	27 mm	30 mm