

**iQ300, French door bottom freezer, multi door, 183 x 90.5 cm, Stainless steel  
KF96NVPEAG**



American style / Multi door fridge freezer: perfect storage conditions for fish and meat as well as fruits and vegetables plus an abundance of easily accessible frozen food storage.

- ✓ noFrost – Never defrost your freezer again.
- ✓ High-gloss backwall with multiAirflow – Evenly chilled food and drinks on all levels.
- ✓ safetyGlass shelves – Extra strong and easy to clean.
- ✓ LED light – Even lighting throughout the inside of your fridge to keep everything in view.
- ✓ superCooling – Reduces the temperature for a set time, to quickly cool down fresh food items.

### Features

#### Technical Data

Energy Efficiency Class: .....	E
Average annual energy consumption in kilowatt hour per year (kWh/a): .....	333 kWh/annum
Sum of volume of frozen compartments: .....	200 l
Sum of volume of chill compartments: .....	405 l
Airborne acoustical noise emissions : .....	38 dB(A) re 1 pW
Airborne acoustical noise emission class: .....	C
Design: .....	Freestanding
Door panel options: .....	Not possible
Height: .....	1830 mm
Width of the appliance: .....	905 mm
Dimensions: .....	731 mm
Weight: .....	117.3 kg
Fuse protection: .....	10 A
Door opening: .....	Left & Right
Nominal power: .....	220-240 V
Frequency: .....	50-60 Hz
Length of electrical supply cord: .....	240.0 cm
Number of compressors: .....	1
Number of independent cooling systems: .....	1
Interior ventilator: .....	Yes
Reversible Door Hinge: .....	No
Number of Adjustable Shelves in fridge compartment (Stck):	2
Shelves for Bottles: .....	No
Frost free system: .....	Fridge and freezer
Installation type: .....	Freestanding



## iQ300, French door bottom freezer, multi door, 183 x 90.5 cm, Stainless steel KF96NVPEAG

### Features

- Stainless steel anti-fingerprint doors and chrome inox metallic side panels
- EU19\_EEK\_D: E
- Total Volume : 605 l
- Net Fridge Volume : 405 l
- Net Freezer Volume : 200 l
- Freezing capacity 24h : 13 kg
- Annual Energy Consumption: 333 kWh/a
- Climate Class: SN-T
- EU19\_Fast freezer facility\_D
- Noise Level : 38 dB , EU19\_Noise emission class\_D: C
- Temperature rise time : EU19\_Temperature rise time\_D: 15 H
- Standard door Stainless steel anti-fingerprint

### Performance and Consumption

#### Design features

- Interior design with metal applications
- Standard door
- Stainless steel anti-fingerprint door and chrome inox metallic side panels.
- White glossy back wall
- LED display for fridge and freezer
- Automatic defrost in fridge section
- Sabbath Mode
- Super Cooling: automatic deactivation
- optical, acoustic for Fridge and Freeze
- Freezer malfunction warning signal: optical, acoustical
- Bright interior LED fridge light in fridge section

#### Food freshness system

- multiAirflow cooling - improves circulation of air around the fridge
- coolBox - extra cold fridge drawer. Ideal to store meat and fish.

#### Dimension and installation

- 4 wheels for easier transport, 3 of them height adjustable.
- 220 - 240 V
- Dimensions: 183 cm H x 90.5 cm W x 73.1 cm D

#### Key features - Fridge section

- 3 safety glass shelves of which 2 are height adjustable, Standard shelf 2 shelves extendable
- Door shelves in fridge door: 2 large and 3 small.
- 3 safety glass shelves (2 height adjustable)
- 2 removable door storage compartments.
- Bright interior LED fridge light
- 1 crisperBox - vegetable/salad container with humidity control

#### Key features - Freezer section

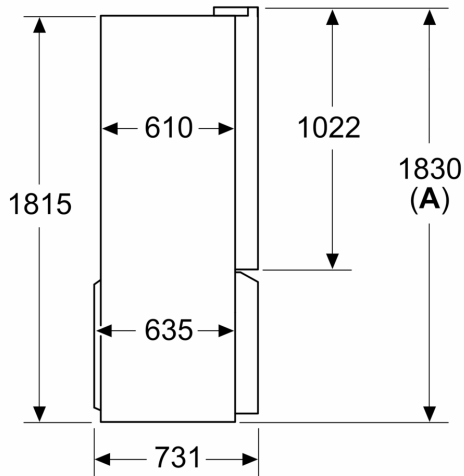
- 1 ice cube tray
- NoFrost

- 6 freezer drawers
- Net 4\* compartment volume : 200 l
- Freezer malfunction warning signal: Acoustic Warning System
- Based on the results of the standard 24-hour test. Actual consumption depends on usage/position of the appliance.
- To achieve the declared energy consumption, the attached distanceholders have to be used. As a result, the appliance depth increases by about 3.5 cm. The appliance used without the distance holder is fully functional, but has a slightly higher energy consumption.

**iQ300, French door bottom  
freezer, multi door, 183 x 90.5  
cm, Stainless steel  
KF96NVPEAG**

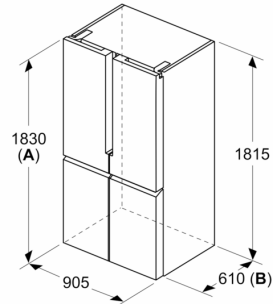
Dimensioned drawings

Measurements in mm



**A:** Front is adjustable 1830–1847 mm, with front levelling feet fully extended

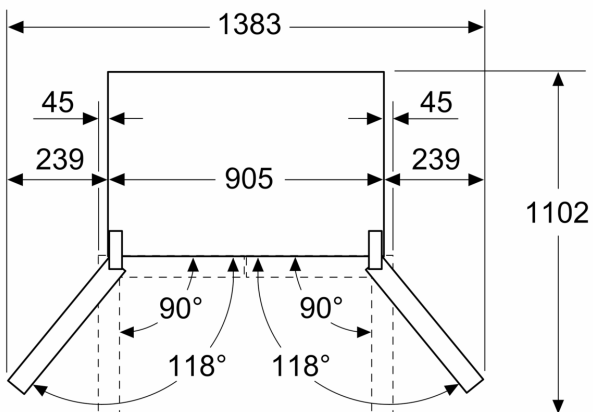
Measurements in mm



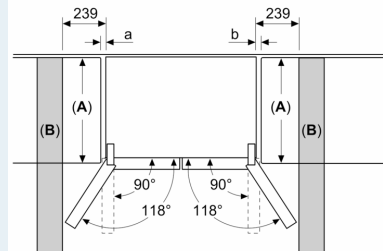
**A:** Front is adjustable 1830–1847 mm, with front levelling feet fully extended

**B:** Add 25 mm for fixed spacers on back

Measurements in mm



Measurements in mm



A	a	b
≤ 600	0	0
600 < A ≤ 650	45	45
650 < A ≤ 700	60	60
> 700	239	239

**A:** Kitchen cabinet or worktop depth

**B:** Wall  
Drawers can be pulled and taken out with door open to 90°