

**iQ300, Free-standing
fridge-freezer with freezer at
bottom, 186 x 60 cm, Black
stainless steel
KG36NXXDF**



- ✓ bottleRack – Store your bottles safely and in easy reach.
- ✓ The superCooling button reduces the temperature for a set time, to quickly cool down fresh food items.
- ✓ multiAirflow for optimum air circulation and even cooling at all levels.
- ✓ Extra strong and easy-cleaning safety glass - safetyGlass shelves.

Features

Technical Data

Energy Efficiency Class: D
 Average annual energy consumption in kilowatt hour per year (kWh/a): 199 kWh/annum
 Sum of volume of frozen compartments: 103 l
 Sum of volume of chill compartments: 218 l
 Airborne acoustical noise emissions : 35 dB(A) re 1 pW
 Airborne acoustical noise emission class: B
 Design: Freestanding
 Door panel options: Not possible
 Height: 1860 mm
 Width of the appliance: 600 mm
 Dimensions: 665 mm
 Weight: 67.7 kg
 Fuse protection: 10 A
 Door opening: Right reversible
 Nominal power: 220-240 V
 Length of electrical supply cord: 240.0 cm
 Number of compressors: 1
 Number of independent cooling systems: 2
 Interior ventilator: No
 Reversible Door Hinge: Yes
 Number of Adjustable Shelves in fridge compartment (Stck): 2
 Shelves for Bottles: Yes
 Installation type: not available



iQ300, Free-standing fridge-freezer with freezer at bottom, 186 x 60 cm, Black stainless steel KG36NXXDF

Features

- Twin No Frost (RC + FC), Fridge freezer
- Standard door Black steel - anti-fingerprint finish

Performance and Consumption

- EU19_EEK_D: D
- Total Volume : 321 l
- Net Fridge Volume : 218 l
- Net Freezer Volume : 103 l
- Freezing capacity 24h : 9.5 kg
- Annual Energy Consumption: 199 kWh/a
- Climate Class: SN-T
- EU19_Fast freezer facility_D
- Noise Level : 35 dB , EU19_Noise emission class_D: B
- Temperature rise time : EU19_Temperature rise time_D: 14 H

Functions

- Black steel - anti-fingerprint finish doors and cast iron side panels
- Integrated vertical handle
- LED fridge light with Soft Start in fridge section

Design features

- Electronic control (2 LED chains)
- Twin evaporators allows independent temperature control and ensures there is no transference of humidity between the fridge and freezer cavity.
- Super Cooling: automatic deactivation
- Optical and acoustical door open warning system
- Freezer malfunction warning signal: optical and acoustical

Design features

- multiAirflow cooling - improves circulation of air around the fridge
- 4 safety glass shelves of which 2 are height adjustable
- Bottle rack
- Door shelves in fridge door: 1 large and 2 small.

Freshness System

- coolBox - extra cold fridge drawer. Ideal to store meat and fish.
- 1 hyperFresh box with integrated humidity control

Food freshness system

- 3 freezer drawers

Dimension and installation

- Dimensions: 186 cm H x 60 cm W x 66.5 cm D

Key features - Fridge section

- Right hinged door, door reversible
- Height adjustable front feet
- 220 - 240 V

Key features - Freezer section

- 3 x egg tray, 2 x ice cube tray

Country Specific Options

- Based on the results of the standard 24-hour test. Actual consumption depends on usage/position of the appliance.

Design features

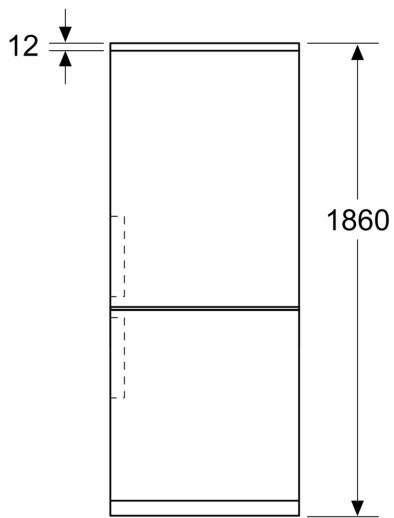
Dimension and installation

Additional features

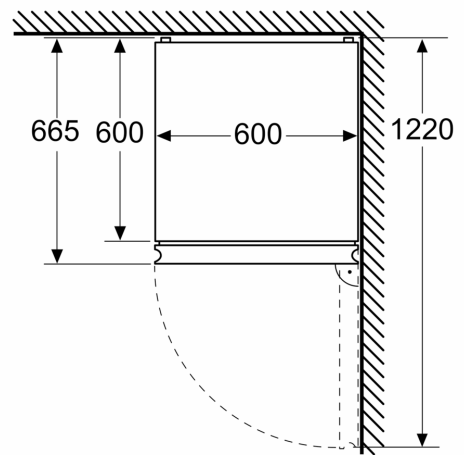
iQ300, Free-standing
fridge-freezer with freezer at
bottom, 186 x 60 cm, Black
stainless steel
KG36NXXDF

Dimensioned drawings

Measurements in mm



Measurements in mm



Measurements in mm

