

**iQ300, Free-standing  
fridge-freezer with freezer at  
bottom, 203 x 70 cm, Black  
stainless steel  
KG49NXXDF**



Bottom freezer with hyperFresh Box to keep fruit and vegetables fresh for longer, plus with noFrost technology you never have to defrost again.

- ✓ hyperFresh <math>0^{\circ}\text{C}</math> – More space for fruit and vegetables. A cold climate for fish and meat.
- ✓ noFrost – Never defrost your freezer again.
- ✓ High-gloss backwall with multiAirflow – Evenly chilled food and drinks on all levels.
- ✓ The superCooling button reduces the temperature for a set time, to quickly cool down fresh food items.
- ✓ bottleRack – Store your bottles safely and in easy reach.

Features

Technical Data

Energy Efficiency Class: .....	D
Average annual energy consumption in kilowatt hour per year (kWh/a): .....	223 kWh/annum
Sum of volume of frozen compartments: .....	129 l
Sum of volume of chill compartments: .....	311 l
Airborne acoustical noise emissions : .....	35 dB(A) re 1 pW
Airborne acoustical noise emission class: .....	B
Design: .....	Freestanding
Door panel options: .....	Not possible
Height: .....	2030 mm
Width of the appliance: .....	700 mm
Dimensions: .....	667 mm
Weight: .....	82.2 kg
Fuse protection: .....	10 A
Door opening: .....	Right reversible
Nominal power: .....	220-240 V
Frequency: .....	50 Hz
Length of electrical supply cord: .....	231.0 cm
Number of compressors: .....	1
Number of independent cooling systems: .....	2
Interior ventilator: .....	No
Reversible Door Hinge: .....	Yes
Number of Adjustable Shelves in fridge compartment (Stck):	3
Shelves for Bottles: .....	Yes
Frost free system: .....	Fridge and freezer
Installation type: .....	Freestanding



## iQ300, Free-standing fridge-freezer with freezer at bottom, 203 x 70 cm, Black stainless steel KG49NXXDF

### Features

- Twin No Frost (RC + FC), Fridge freezer
- Standard door Black steel - anti-fingerprint finish

#### Performance and Consumption

- EU19\_EEK\_D: D
- Total Volume : 440 l
- Net Fridge Volume : 313 l
- Net Freezer Volume : 127 l
- Freezing capacity 24h : 9.5 kg
- Annual Energy Consumption: 222 kWh/a
- Temperature rise time : EU19\_Temperature rise time\_D: 18 H

#### Design features

- Black steel - anti-fingerprint finish doors and cast iron side panels
- Integrated vertical handle
- LED fridge light with Soft Start
- Electronic control (2 LED chains)
- 5 safety glass shelves of which 3 are height adjustable
- Bottle rack
- Door shelves in fridge door: 1 large and 3 small.
- White glossy back wall

#### Functions

- Twin evaporators allows independent temperature control and ensures there is no transference of humidity between the fridge and freezer cavity.
- multiAirflow cooling - improves circulation of air around the fridge
- Super Cooling: automatic deactivation
- Optical and acoustical door open warning system
- Freezer malfunction warning signal: optical and acoustical

#### Freshness System

- coolBox - extra cold fridge drawer. Ideal to store meat and fish.
- 1 hyperFresh box with integrated humidity control

#### Food freshness system

#### Dimension and installation

- Dimensions: 203 cm H x 70 cm W x 66.7 cm D

#### Key features - Fridge section

- 3 x egg tray, 2 x ice cube tray
- Right hinged door, door reversible
- Height adjustable front feet
- 220 - 240 V

#### Key features - Freezer section

- Maximum freezer storage time in power failure: 18 hours
- Freezing capacity in 24 hours: 9.5 kg
- Net freezer capacity: 127 litres
- 3 freezer drawers

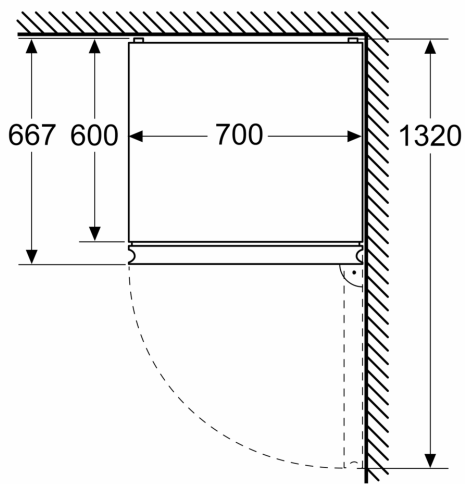
#### Country Specific Options

- Based on the results of the standard 24-hour test. Actual consumption depends on usage/position of the appliance.

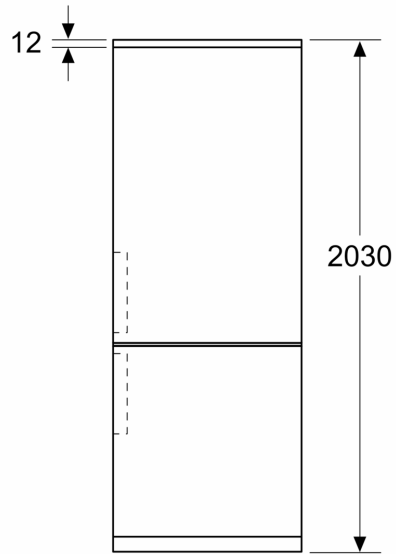
**iQ300, Free-standing  
fridge-freezer with freezer at  
bottom, 203 x 70 cm, Black  
stainless steel  
KG49NXXDF**

Dimensioned drawings

Measurements in mm



Measurements in mm



Measurements in mm

