

iQ300, Built-in fridge, 88 x 56 cm, flat hinge KI21RVFEO



Included accessories	
3 x egg tray	
Optional accessories	
KF20ZAX0	Door panel with decor frame
KF20ZSX0	Stainless steel door panel
KSGGZM00	Butter box

Built-in refrigerator with bright LED Light, especially stable door trays and autoAirflow for optimal food storage conditions.

- ✓ LED light – Even lighting throughout the inside of your fridge to keep everything in view.
- ✓ superCooling – Reduces the temperature for a set time, to quickly cool down fresh food items.
- ✓ autoAirflow – Ideal air circulation for even cooling at all levels, maintaining longer freshness.
- ✓ safetyGlass shelves – Extra strong and easy to clean.

Features

Technical Data

Energy Efficiency Class: E
 Average annual energy consumption in kilowatt hour per year (kWh/a): 92 kWh/annum
 Sum of volume of frozen compartments: 0 l
 Sum of volume of chill compartments: 136 l
 Airborne acoustical noise emissions : 35 dB(A) re 1 pW
 Airborne acoustical noise emission class: B
 Design: Built-in
 Door panel options: Possible but accessory
 Height: 874 mm
 Width of the appliance: 541 mm
 Dimensions: 548 mm
 Min. required niche size for installation (HxWxD): .. 880 x 560 x 550 mm
 Weight: 30.1 kg
 Fuse protection: 10 A
 Door opening: Right reversible
 Nominal power: 220-240 V
 Frequency: 50 Hz
 Length of electrical supply cord: 230.0 cm
 Number of compressors: 1
 Number of independent cooling systems: 1
 Interior ventilator: No
 Reversible Door Hinge: Yes
 Number of Adjustable Shelves in fridge compartment (Stck): 2
 Shelves for Bottles: Yes
 EAN code: 4242003904343
 Brand: Siemens
 Product name / Commercial code: KI21RVFEO
 Product category: Upright fridge
 Frost free system: No
 Installation type: Fully integrated
 Included accessories: 3 x egg tray



iQ300, Built-in fridge, 88 x 56 cm, flat hinge KI21RVFEO

Features

- KI21RVFEO
- Fixed hinge, softClosing door: No
- Easy Installation

Performance and Consumption

- EU19_EEK_D: E
- Total Volume : 136 l
- Net Fridge Volume : 136 l
- Net Freezer Volume : 0 l
- Annual Energy Consumption: 92 kWh/a
- Climate Class: SN-ST
- EU19_Fast freezer facility_D
- Noise Level : 35 dB , EU19_Noise emission class_D: B

Functions

- Bright interior LED fridge light

Design features

- Electronic control (LED chain)
- Automatic defrost in fridge section
- Super Cooling: automatic deactivation
- Acoustic open door warning system

Design features

- 3 safety glass shelves of which 2 are height adjustable
- 1 removable door storage compartments.
- 2 door bins
- Door shelves in fridge door: 1 large and 1 small.

Freshness System

- 1 vegetable/salad container

Dimension and installation

- Dimensions: 87.4 cm H x 54.1 cm W x 54.8 cm D
- Niche Dimensions: 88 cm H x 56 cm W x 55 cm D

Key features - Fridge section

- Right hinged door, door reversible
- 220 - 240 V

Key features - Freezer section

- 3 x egg tray
- bottle holder in door tray

Country Specific Options

- Based on the results of the standard 24-hour test. Actual consumption depends on usage/position of the appliance.

Design features

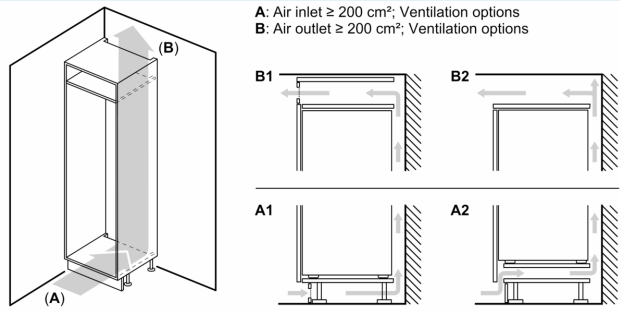
Dimension and installation

Additional features

- Wave form bottle holder
- Length of power cord:230 cm

iQ300, Built-in fridge, 88 x 56 cm,
flat hinge
KI21RVFE0

Dimensioned drawings

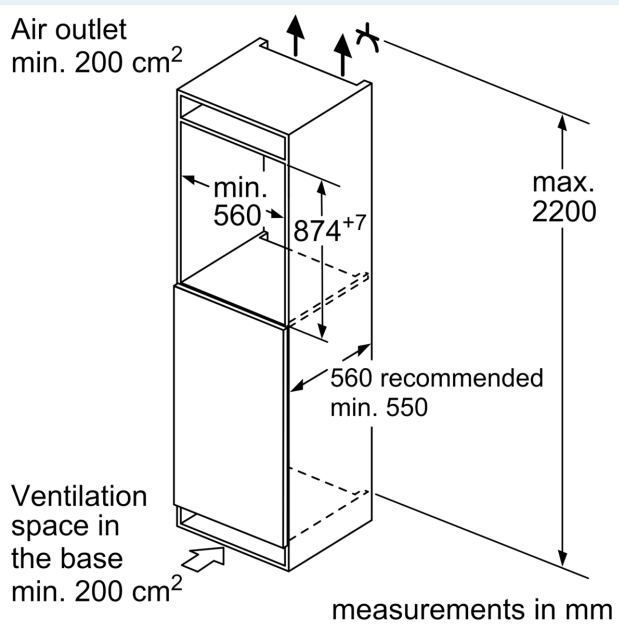
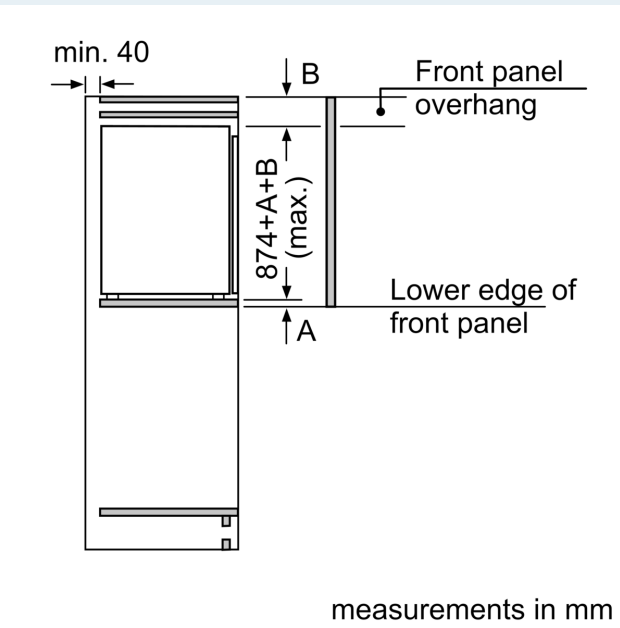


Maximal permissible weight of the unit fronts

Fitted unit fronts that exceed the permissible weight may cause damage and result in functional impairment of the hinges

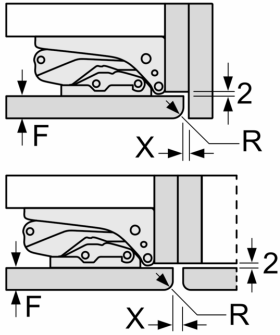
W: Weight
A: Appliance door height including hinges in mm
B: Undamped hinge, unit front in kg
C: Damped hinge, unit front in kg
D: Additional possible load in kg with heavy load kit

A	B	C	D
1500-1750	22	22	B+5 / C+5
720-1400	19	19	
A1	15	19	
A2	15	19	



Dimensioned drawings

measurements in mm
Recommended gap dimensions for flat hinges



F	R	X
16-19	0-3	2.5
20	0-1	3
	2-3	2.5
21	0-1	3
	2-3	2.5
22	0	4
	1	3.5
	2-3	3

The gap dimensions recommended in the table must be adhered to in order to ensure that appliance doors do not collide with anything when they are opened, and to avoid causing damage to kitchen units.