

iQ500, Built-in fridge with freezer section, 177.5 x 56 cm, flat hinge KI82LAFFO



| Included accessories | |
|---------------------------------|--------------------------|
| 2 x egg tray, 1 x ice cube tray | |
| Optional accessories | |
| KS0BZS00 | Heavy-duty hinge support |
| KS10Z020 | Bottle Rack |

coolEfficiency built-in fridge freezer with hyperFresh plus Box to keep fruit and vegetables fresh up to 2 times longer, plus varioShelf, in the highly efficient EEC A+++

- ✓ The hyperFresh plus Box with adjustable humidity keeps fruit and vegetables fresh for longer.
- ✓ LED light – Ample, even lighting helps you check what’s in your fridge faster.
- ✓ The superCooling button reduces the temperature for a set time, to quickly cool down fresh food items.
- ✓ All freezer drawers and glass shelves can be removed easily. varioZone lets you organize the space flexibly.
- ✓ **** freezer compartment - ideal conditions for frozen goods at -18°C and below.

Features

Technical Data

Energy Efficiency Class: F
 Average annual energy consumption in kilowatt hour per year (kWh/a): 222 kWh/annum
 Sum of volume of frozen compartments: 34 l
 Sum of volume of chill compartments: 252 l
 Airborne acoustical noise emissions : 36 dB(A) re 1 pW
 Airborne acoustical noise emission class: C
 Design: Built-in
 Door panel options: Not possible
 Height: 1772 mm
 Width of the appliance: 558 mm
 Dimensions: 550 mm
 Min. required niche size for installation (HxWxD): 1775.0 x 560 x 550 mm
 Weight: 61.8 kg
 Connection Rating: 90 W
 Fuse protection: 10 A
 Door opening: Right reversible
 Nominal power: 220-240 V
 Length of electrical supply cord: 230.0 cm
 Number of compressors: 1
 Number of independent cooling systems: 1
 Interior ventilator: No
 Reversible Door Hinge: Yes
 Number of Adjustable Shelves in fridge compartment (Stck): 4
 Shelves for Bottles: No
 EAN code: 4242003876046
 Brand: Siemens
 Product name / Commercial code: KI82LAFFO
 Product category: Upright fridge
 Frost free system: No
 Installation type: Fully integrated
 Included accessories: 2 x egg tray, 1 x ice cube tray



iQ500, Built-in fridge with freezer section, 177.5 x 56 cm, flat hinge KI82LAFF0

Features

Functions

- Bright interior LED fridge light in fridge section

Design features

- Electronic LED display
- VitaControl - constant temperature by intelligent sensor technology - Constant temperature control by intelligent sensor technology
- Automatic defrost in fridge section
- Acoustic open door warning system

Design features

- 5 safety glass shelves (4 height adjustable)
- 5 door trays, including 1x dairy compartment

Freshness System

- 1 x hydroFresh drawer - humidity controlled vegetable/salad container on telescopic rails for prolonged storage
- 1 x humidity controlled vegetable/salad drawer on telescopic rails
- 1 x hydroFresh drawer - humidity controlled vegetable/salad container on telescopic rails for prolonged storage
- 1 x humidity controlled vegetable/salad drawer on telescopic rails

Food freshness system

- 1 hinged freezer compartment
- 1 removable shelf of safety glass
- Ice box

Dimension and installation

- Dimensions: 177.2 cm H x 55.8 cm W x 54.5 cm D
- Niche Dimensions: 177.5 cm H x 56 cm W x 55 cm D

Key features - Fridge section

- Right hinged door, door reversible
- Connection value 90 W
- 220 - 240 V

Key features - Freezer section

- 3 x egg tray, 2 x ice cube tray

Country Specific Options

- Based on the results of the standard 24-hour test. Actual consumption depends on usage/position of the appliance.

Design features

Dimension and installation

Additional features

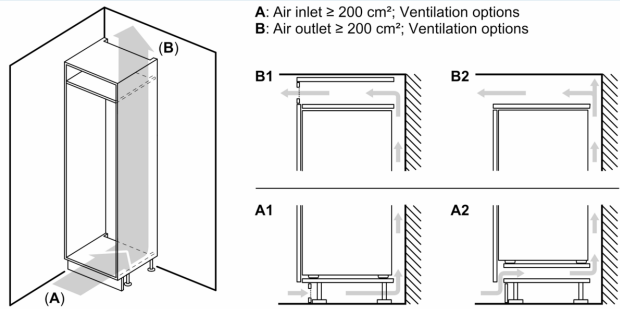
Performance and Consumption

- EU19_EEK_D: F
- Total Volume : 286 l
- Net Fridge Volume : 252 l
- Net Freezer Volume : 34 l
- Net 4* compartment volume : 34 l
- Freezing capacity 24h : 4 kg
- Annual Energy Consumption: 222 kWh/a

- Climate Class: SN-ST
- Noise Level : 36 dB , EU19_Noise emission class_D: C
- Temperature rise time : EU19_Temperature rise time_D: 16 H

iQ500, Built-in fridge with freezer section, 177.5 x 56 cm, flat hinge KI82LAFF0

Dimensioned drawings

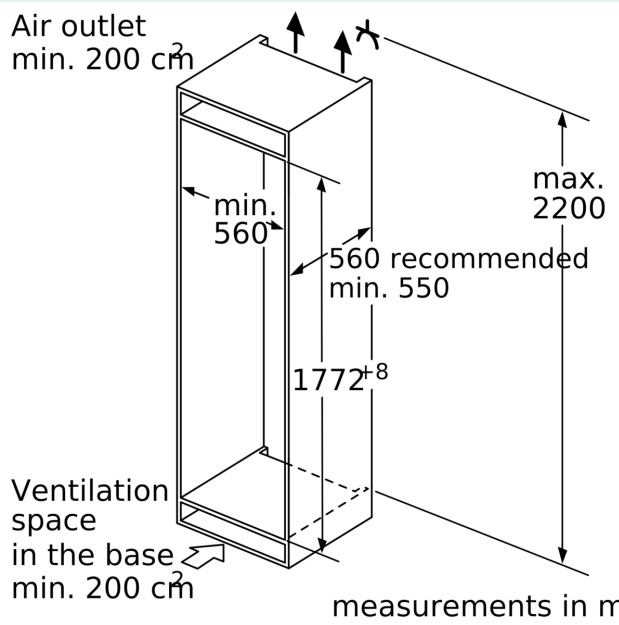
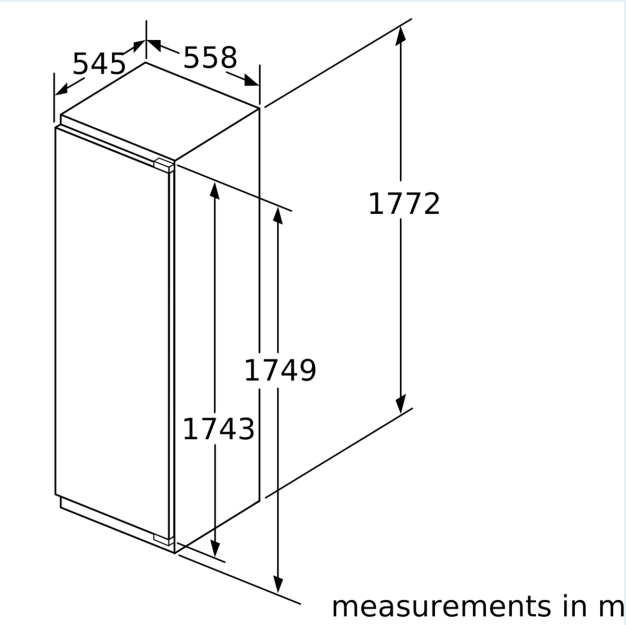


Maximal permissible weight of the unit fronts

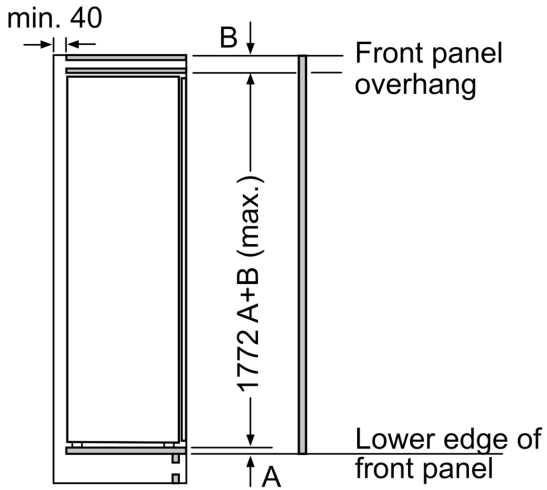
Fitted unit fronts that exceed the permissible weight may cause damage and result in functional impairment of the hinges

W: Weight
A: Appliance door height including hinges in mm
B: Undamped hinge, unit front in kg
C: Damped hinge, unit front in kg
D: Additional possible load in kg with heavy load kit

| A | B | C | D |
|-----------|----|----|-----------|
| 1500-1750 | 22 | 22 | B+5 / C+5 |
| 720-1400 | 19 | 19 | |
| A1 | 15 | 19 | |
| A2 | 15 | 19 | |

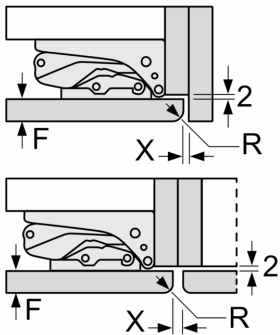


Dimensioned drawings



measurements in mm

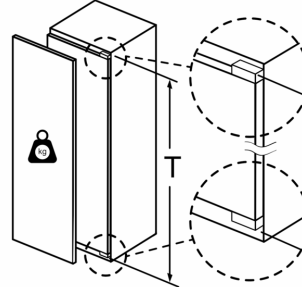
measurements in mm
Recommended gap dimensions for flat hinges



| F | R | X |
|-------|-----|-----|
| 16-19 | 0-3 | 2.5 |
| 20 | 0-1 | 3 |
| | 2-3 | 2.5 |
| 21 | 0-1 | 3 |
| | 2-3 | 2.5 |
| 22 | 0 | 4 |
| | 1 | 3.5 |
| | 2-3 | 3 |

The gap dimensions recommended in the table must be adhered to in order to ensure that appliance doors do not collide with anything when they are opened, and to avoid causing damage to kitchen units.

Maximal permissible weight of the unit fronts



Fitted kitchen unit doors that exceed the permissible weight may cause damage and result in functional impairment of the hinges.

| T: Includes height of appliance door Hinges in mm: | undamped hinge, Door in kg: | damped hinge, Door in kg: |
|---|--------------------------------|------------------------------|
| 1500-1750 | 22 | 22 |