

iQ300, Built-in fridge-freezer with freezer at bottom, 177.2 x 54.1 cm, flat hinge KI87VVFEOG



Built-in refrigerator-freezer with hyperFresh to keep fruit and vegetables fresh longer and LED lights for brilliant illumination of the fridge's interior.

- ✓ hyperFresh – The extra-large drawer for your fruit and vegetables.
- ✓ LED light – Ample, even lighting helps you check what's in your fridge faster.
- ✓ Less frost formation and faster defrosting with lowFrost.
- ✓ bottleRack – Store your bottles safely and in easy reach.
- ✓ autoAirflow – Even cooling keeps food fresh for longer.

Features

Technical Data

Energy Efficiency Class: E
 Average annual energy consumption in kilowatt hour per year (kWh/a): 216 kWh/annum
 Sum of volume of frozen compartments: 70 l
 Sum of volume of chill compartments: 200 l
 Airborne acoustical noise emissions : 35 dB(A) re 1 pW
 Airborne acoustical noise emission class: B
 Design: Built-in
 Door panel options: Not possible
 Height: 1772 mm
 Width of the appliance: 541 mm
 Dimensions: 550 mm
 Min. required niche size for installation (HxWxD): 1775.0 x 560 x 550 mm
 Weight: 53.0 kg
 Fuse protection: 10 A
 Door opening: Right reversible
 Nominal power: 220-240 V
 Length of electrical supply cord: 230.0 cm
 Number of compressors: 1
 Number of independent cooling systems: 1
 Interior ventilator: No
 Reversible Door Hinge: Yes
 Number of Adjustable Shelves in fridge compartment (Stck): 4
 Shelves for Bottles: Yes
 Frost free system: No
 Installation type: Fully integrated
 Type of hinge: Flush-folding

Optional accessories

- GS6BZR00 Box-in-Freezer-Box
- KSGGZM00 Butter box



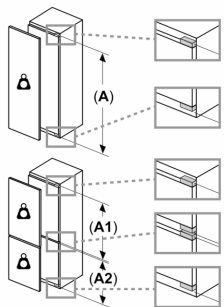
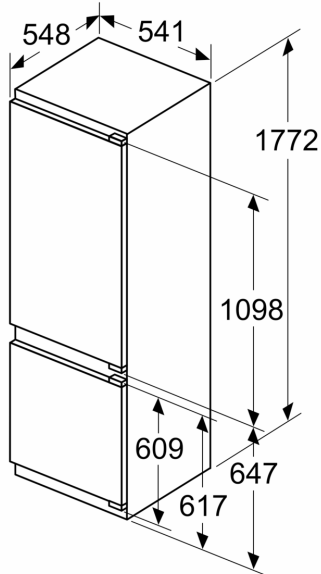
iQ300, Built-in fridge-freezer with freezer at bottom, 177.2 x 54.1 cm, flat hinge KI87VVFEOG

Features	
<ul style="list-style-type: none"> • KI87VVFEOG • easy Installation <p>Functions</p> <ul style="list-style-type: none"> • Bright interior LED fridge light in fridge section <p>Design features</p> <ul style="list-style-type: none"> • Electronic control (LED chain) • 1 compressor/1 cooling circuit • superFreeze function with automatic deactivation • Acoustic open door warning system <p>Design features</p> <ul style="list-style-type: none"> • 5 safety glass shelves in fridge compartment of which 4 are height adjustable • 1 removable door storage compartments. • 4 door bins • Bottle rack <p>Freshness System</p> <ul style="list-style-type: none"> • 1 hyperFresh box with integrated humidity control <p>Food freshness system</p> <ul style="list-style-type: none"> • 2 transparent freezer drawers, 1 bigBox <p>Dimension and installation</p> <ul style="list-style-type: none"> • Dimensions: 177.2 cm H x 54.1 cm W x 54.8 cm D • Niche Dimensions: 177.5 cm H x 56 cm W x 55 cm D <p>Key features - Fridge section</p> <ul style="list-style-type: none"> • Right hinged door, door reversible • 220 - 240 V <p>Key features - Freezer section</p> <ul style="list-style-type: none"> • 3 x egg tray, 2 x ice cube tray <p>Country Specific Options</p> <ul style="list-style-type: none"> • Based on the results of the standard 24-hour test. Actual consumption depends on usage/position of the appliance. <p>Design features</p> <p>Dimension and installation</p> <p>Additional features</p> <p>Performance and Consumption</p> <ul style="list-style-type: none"> • EU19_EEK_D: E • Total Volume : 270 l • Net Fridge Volume : 200 l • Net Freezer Volume : 70 l • Net 4* compartment volume : 70 l • Freezing capacity 24h : 3.2 kg • Annual Energy Consumption: 216 kWh/a • Climate Class: SN-ST • Noise Level : 35 dB , EU19_Noise emission class_D: B 	<ul style="list-style-type: none"> • Temperature rise time : EU19_Temperature rise time_D: 12 H

iQ300, Built-in fridge-freezer with freezer at bottom, 177.2 x 54.1 cm, flat hinge KI87VVFE0G

Dimensioned drawings

measurements in mm



Maximal permissible weight of the unit fronts

Fitted unit fronts that exceed the permissible weight may cause damage and result in functional impairment of the hinges

Δ Weight

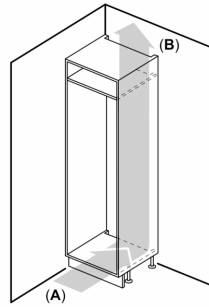
A: Appliance door height including hinges in mm

B: Undamped hinge, unit front in kg

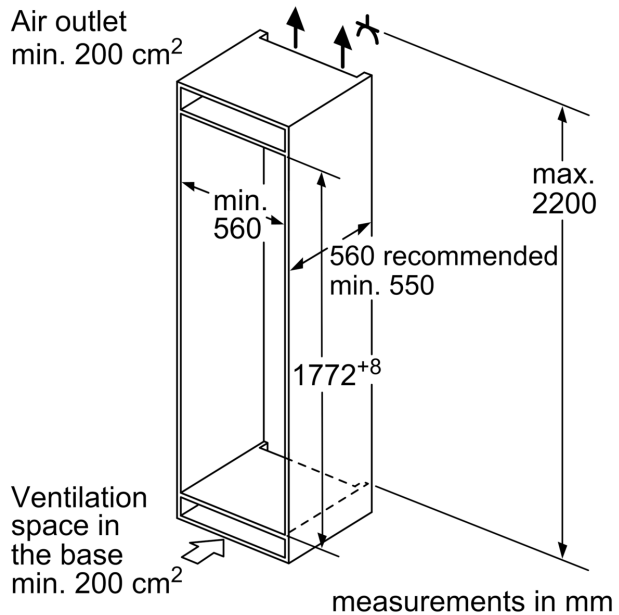
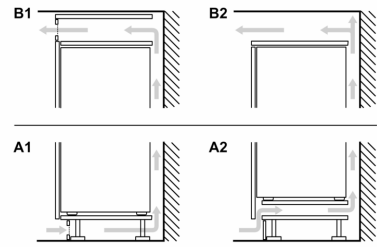
C: Damped hinge, unit front in kg

D: Additional possible load in kg with heavy load kit

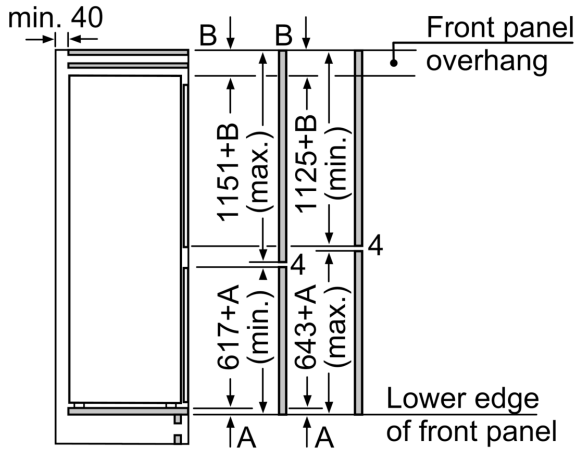
A	B	C	D
1500-1750	22	22	B+5 / C+5
720-1400	19	19	
A1	15	19	
A2	15	19	



A: Air inlet $\geq 200 \text{ cm}^2$; Ventilation options
B: Air outlet $\geq 200 \text{ cm}^2$; Ventilation options

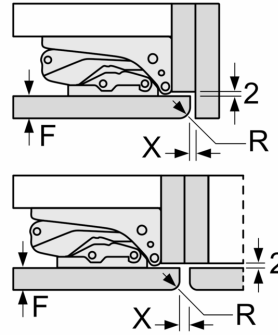


Dimensioned drawings



The specified unit door dimensions are valid for a door gap of 4 mm.
 measurements in mm

measurements in mm
 Recommended gap dimensions for flat hinges



F	R	X
16-19	0-3	2.5
20	0-1	3
	2-3	2.5
21	0-1	3
	2-3	2.5
22	0	4
	1	3.5
	2-3	3

The gap dimensions recommended in the table must be adhered to in order to ensure that appliance doors do not collide with anything when they are opened, and to avoid causing damage to kitchen units.