

iQ500, Built-under fridge with freezer section, 82 x 60 cm, flat hinge KU15LAFF0G



undercounter fridge with handy covered fruit and Fresh Box in the very efficient EEC A++.

- ✓ LED light – Ample, even lighting helps you check what's in your fridge faster.
- ✓ Additional space for fruit and vegetables: they stay crispy in the 2 Fresh Boxes with wavy bottom.
- ✓ Extra strong and easy-cleaning safety glass - safetyGlass shelves.
- ✓ freshSense: sensors that keep the inside temperature steady for longer food freshness

Features

Technical Data

Energy Efficiency Class: F
 Average annual energy consumption in kilowatt hour per year (kWh/a): 180 kWh/annum
 Sum of volume of frozen compartments: 15 l
 Sum of volume of chill compartments: 108 l
 Airborne acoustical noise emissions : 38 dB(A) re 1 pW
 Airborne acoustical noise emission class: C
 Design: Built-in
 Door panel options: Possible but accessory
 Height: 820 mm
 Width of the appliance: 598 mm
 Dimensions: 550 mm
 Min. required niche size for installation (HxWxD): .. 820 x 600 x 550 mm
 Weight: 35.0 kg
 Connection Rating: 90 W
 Fuse protection: 13 A
 Door opening: Right reversible
 Nominal power: 220-240 V
 Length of electrical supply cord: 230.0 cm
 Number of compressors: 1
 Number of independent cooling systems: 1
 Interior ventilator: No
 Reversible Door Hinge: Yes
 Number of Adjustable Shelves in fridge compartment (Stck): 1
 Shelves for Bottles: Yes
 EAN code: 4242003856918
 Brand: Siemens
 Product name / Commercial code: KU15LAFF0G
 Product category: Upright fridge
 Frost free system: No
 Installation type: Built under
 Included accessories: 1 x egg tray, 1 x ice cube tray

Included accessories

1 x egg tray, 1 x ice cube tray

Optional accessories

KF10ZAX0 Door panel with decor frame
 KSGGZM00 Butter box
 KU20ZSX0 Attachment door, stainless steel



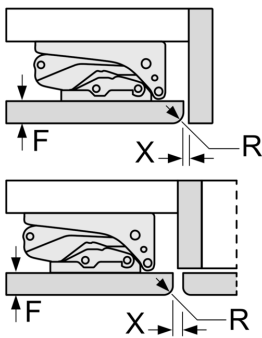
iQ500, Built-under fridge with freezer section, 82 x 60 cm, flat hinge KU15LAFF0G

Features	
<ul style="list-style-type: none"> • Fully integrated <p>Functions</p> <ul style="list-style-type: none"> • Ventilation through plinth • Easy clean interior • Interior design with metal applications <p>Design features</p> <ul style="list-style-type: none"> • Electronic control (LED chain) • 1 compressor/1 cooling circuit • Automatic defrost in fridge section <p>Design features</p> <ul style="list-style-type: none"> • 2 safety glass shelves in fridge compartment of which 1 are height adjustable • Full width pull out drawer • Door shelves in fridge door: 1 large and 2 small. • Bottle holder in x-deep door tray • Bright interior LED fridge light <p>Freshness System</p> <ul style="list-style-type: none"> • 2 vegetable/salad containers <p>Food freshness system</p> <ul style="list-style-type: none"> • 1 hinged freezer compartment • Ice box <p>Key features - Fridge section</p> <ul style="list-style-type: none"> • Height adjustable feet in the front • Right hinged door, door reversible • Connection value 90 W • 220 - 240 V <p>Dimension and installation</p> <ul style="list-style-type: none"> • Niche Dimensions: 82 cm H x 60 cm W x 55 cm D • Dimensions: 82 cm H x 59.8 cm W x 54.8 cm D <p>Key features - Freezer section</p> <ul style="list-style-type: none"> • KU15LAFF0G <p>Design features</p> <p>Dimension and installation</p> <p>Additional features</p> <p>Performance and Consumption</p> <ul style="list-style-type: none"> • EU19_EEK_D: F • Total Volume : 123 l • Net Fridge Volume : 108 l • Net Freezer Volume : 15 l • Net 4* compartment volume : 15 l • Freezing capacity 24h : 3.4 kg • Annual Energy Consumption: 180 kWh/a • Climate Class: SN-ST 	<ul style="list-style-type: none"> • Noise Level : 38 dB , EU19_Noise emission class_D: C • Temperature rise time : EU19_Temperature rise time_D: 8 H

**iQ500, Built-under fridge with
freezer section, 82 x 60 cm, flat
hinge
KU15LAFF0G**

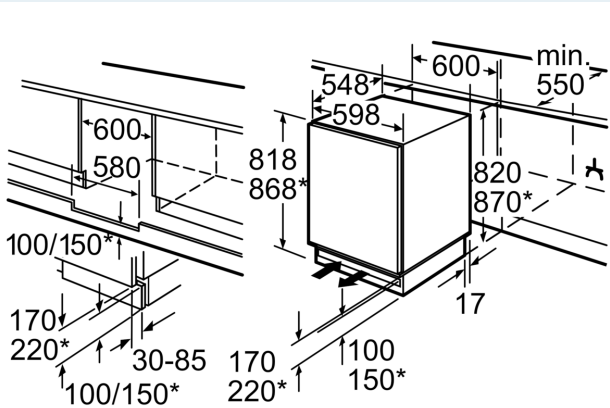
Dimensioned drawings

measurements in mm
Recommended gap dimensions for flat hinges



F	R	X
16-19	0-3	2.5
20	0-1	3
21	2-3	2.5
	0-1	3
22	2-3	2.5
	0	4
	1	3.5
	2-3	3

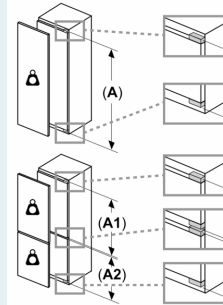
The gap dimensions recommended in the table must be adhered to in order to ensure that appliance doors do not collide with anything when they are opened, and to avoid causing damage to kitchen units.



* variable base/substructure height

Space for electrical connection next to the appliance on the left or right-hand side.
Ventilation space in the base.

measurements in mm



Maximal permissible weight of the unit fronts

Fitted unit fronts that exceed the permissible weight may cause damage and result in functional impairment of the hinges

Δ Weight

A: Appliance door height including hinges in mm

B: Undamped hinge, unit front in kg

C: Damped hinge, unit front in kg

D: Additional possible load in kg with heavy load kit

A	B	C	D
1500-1750	22	22	B+5 / C+5
720-1400	19	19	
A1	15	19	
A2	15	19	