

iQ500, Built-under double oven  
NB535ABS0B



Shorten your cooking time thanks to fast preheat.

- ✓ fast preheat: reach the required cooking temperature sooner.
- ✓ ecoClean Plus: effortless cleaning thanks to a special coating inside the oven that automatically disintegrates dirt and reduces odours significantly.
- ✓ lightControl: intuitive operation thanks to the illuminated dial.
- ✓ 3D hotAir Plus – Even heat distribution on up to three levels for excellent results.

Features

Technical Data

Design: ..... Built-in  
 Integrated Cleaning system: ..... No  
 Dimensions: ..... 717 x 594 x 550 mm  
 Dimensions of the packed product (HxWxD): ... 790 x 660 x 690 mm  
 Control Panel Material: ..... Glass  
 Door Material: ..... Glass  
 Weight: ..... 46.6 kg  
 Usable volume of cavity: ..... 47 l  
 Heating Types: ..... Full width grill, Hotair gentle, Hot Air, Conventional heat, Hot air grilling  
 Oven control: ..... mechanical  
 Number of interior lights: ..... 1  
 EAN code: ..... 4242003803264  
 Energy efficiency rating: ..... A  
 Energy consumption per cycle conventional (2010/30/EC): ..... 0.84 kWh/cycle  
 Energy consumption per cycle forced air convection (2010/30/EC): 0.71 kWh/cycle  
 Energy efficiency class (2010/30/EC) - cavity 2: ..... B  
 Energy consumption per cycle conventional - cavity 2 (2010/30/EC): ..... 0.83 kWh/cycle  
 Energy efficiency index (2010/30/EC): ..... 94.7 %  
 Energy efficiency index cavity 2 (2010/30/EC): ..... 120.3 %  
 Connection Rating: ..... 5600 W  
 Fuse protection: ..... 25 A  
 Nominal power: ..... 220-240 V  
 Frequency: ..... 50 Hz  
 Plug type: ..... no plug (electrical connection by electrician), fixed connection  
 Included accessories: ..... 2 x combination grid, 1 x universal pan



Optional accessories

HZ317000 Pizza pan, enamelled, HZ327000 Baking stone, HZ531000 Baking tray, enamelled, HZ531010 Baking tray, non-stick ceramic coated, HZ532000 Multipurpose pan, enamelled, HZ532010 Universal pan, non-stick ceramic coated, HZ538000 varioClip rail, HZ625071 Grill tray, enamelled, HZ634000 Baking and roasting grid (standard), HZ636000 Glass pan, HZ638000 Full ext rails, level independent, HZ664000 Baking and roasting grid (steam), HZ915003 Glass roasting dish, 5,4 L

## iQ500, Built-under double oven NB535ABS0B

### Features

#### Design

- LCD Display (white)
- Stainless steel control dial, lightControl: intuitive operation thanks to the illuminated dials, round
- Electronic oven clock timer
- Bar handle
- lightControl: intuitive operation thanks to the illuminated dials
- Interior halogen light
- Cavity with shelf support rails

#### Features

- Automatic start
- Heating-up indicator
- Control panel lock

#### Top oven additional features

- Cavity volume: 34 l
- EcoClean Direct :ceiling, back panel, side liners
- Full glass inner door
- Cavity (inner surface) top: Enamel grey
- Door hinge small cavity: Drop down oven door
- 3 shelf positions

#### Main oven additional features

- Cavity volume: 47 litre capacity
- EcoClean Direct : back panel
- Full glass inner door
- Cavity (inner surface) bottom: enamel anthracite
- Door hinge big cavity: Drop down oven door

#### Top Oven

- Oven with 4 heating methods: conventional oven, Large-area grill, Small area grill, bottom heat
- Temperature range 50 °C - 275 °C

#### Main Oven

- Oven with 5 heating methods: 3D hot air, conventional top & bottom heating, hot air grilling, full width grill, Hotair gentle
- Temperature range 50 °C - 275 °C
- fast preheat function

#### Accessories

- 2 x combination grid, 1 x universal pan

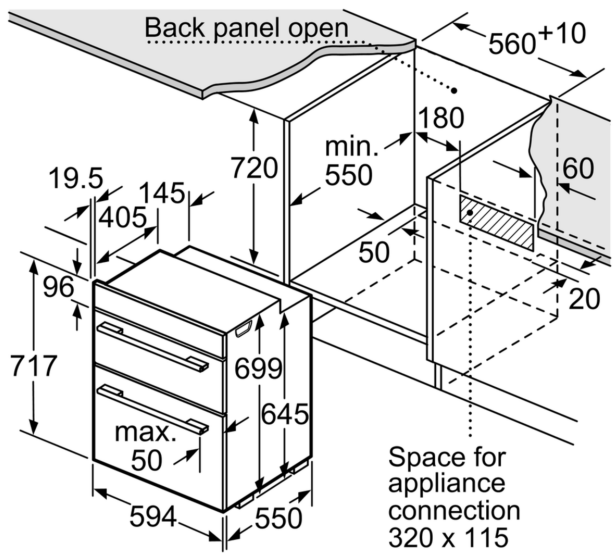
#### Performance/technical information

- Energy efficiency rating (acc. EU Nr. 65/2014): B(at a range of energy efficiency classes from A+++ to D)
- Energy consumption per cycle in conventional mode:0.83 kwh
- Number of cavities: Top Cavity Heat source: electrical
- Energy efficiency rating (acc. EU Nr. 65/2014): B(at a range of energy efficiency classes from A+++ to D)
- Energy consumption per cycle in conventional mode:0.83 kWh
- Energy consumption per cycle in fan-forced convection mode:0.71 kwh
- Number of cavities: Main Cavity Heat source: electrical

- Total connected load electric: 5.6 KW
- Nominal voltage: 220 - 240 V
- Appliance dimension (hxwxd): 717 mm x 594 mm x 550 mm
- Niche dimension (hxwxd): 720 mm - 720 mm x 560 mm - 568 mm x 550 mm
- Please refer to the dimensions provided in the installation manual

iQ500, Built-under double oven  
NB535ABS0B

Dimensioned drawings



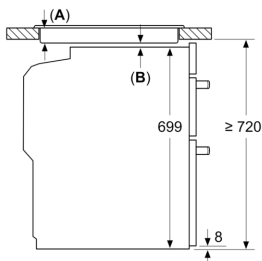
measurements in mm

measurements in mm

If the appliance will be installed underneath a hob, the following worktop thicknesses (including substructure if necessary) must be taken into account.

Hob type	min. worktop thickness	
	fitted	flush
Induction hob	39	40
Full-surface induction hob	49	50
Gas hob	29	40
Electric hob	29	32

measurements in mm  
Installation with a hob



A: Recessed depth 29-50 mm. See hob dimensional drawing.  
B: Min. distance:  
Induction hob: 5 mm  
Gas hob: 5 mm  
Electric hob: 2 mm

measurements in mm

