

**iQ500, Washer dryer, 7/4 kg
WK14D542GB**



iQ 500 Built-in WasherDryer with waterPerfect load detection for water-saving laundry care.

- ✓ High load capacity for wash loads up to 7 kg and dry loads up to 4 kg.
- ✓ aquaStop®: Siemens home appliances' warranty in case of water damage – throughout the lifetime of the appliance

Features

Technical Data

Energy Efficiency Class Wash/Dry cycle(Regulation): E
 Energy Efficiency Class Eco 40-60 programme (Regulation): E
 Weighted energy consumption in kWh per 100 full Wash/Dry cycles:
266 kWh
 Weighted energy consumption in kWh per 100 washing cycles of
 eco 40-60 programme:77 kWh
 Maximum capacity in kg in a Wash/Dry cycle: 4.0
 Maximum capacity in kg in a wash cycle:7.0
 The water consumption of the full wash and dry cycle in liters per
 cycle: 68 l
 The water consumption of the eco programme in liters per cycle:
 44 l
 Duration of the full wash and dry cycle in hours and mins at rated
 capacity: 5:30 h
 Duration of eco 40-60 programme in hours and mins at rated
 capacity: 2:50 h
 Spin-drying efficiency class of eco 40-60 programme: B
 Airborne acoustical noise emissions : 72 dB(A) re 1 pW
 Airborne acoustical noise emission class:A
 Design: Freestanding
 Removable work top: No
 Door opening:Left
 Length of electrical supply cord: 220.0 cm
 Height of removable worktop: 0 mm
 Dimensions of the product: 820 x 595 x 584 mm
 Weight: 82.1 kg
 Drum volume: 52 l
 EAN code:4242003884294



Optional accessories

WX975600	Floor securing component
WZ10130	Extension for cold water inlet /Aquastop

iQ500, Washer dryer, 7/4 kg WK14D542GB

Features

Performance

- Energy Efficiency Class Wash and Dry¹: E
- Energy Efficiency Class Washing²: E
- Energy³ / Water⁴ Wash and Dry: 266 kWh / 68 litres
- Energy⁵ / Water⁶ Washing: 77 kWh / 44 litres
- Load capacity Wash and Dry / Washing: 1 - 4 kg / 1 - 7 kg
- Programme duration⁷ Wash and Dry / Washing: 5:30 h:min / 2:50 h:min
- Spin drying efficiency class: EU19_spin efficiency class: B
- Spin speed^{**}: 600 - 1355 rpm
- Noise level: 72 dB (A) re 1 pW
- Noise efficiency class: A

Programmes/functions

- Special programmes: easy-care, night wash, mixed fabrics, Sportswear, rapid 15 minute quick wash, rinse/spin, fluff clean, drain / spin, hygiene, wool/handwash, delicates/silk
- Special programme - drying: fluff removal cycle
- Buttons: start, spin speed selection, change, menu, drying time selection, temperature selection and 24 hour time delay start time delay

Key features

- Fully electronic control dial for all wash and special programmes
- autoDry function, and time selection options
- Reload facility

Additional features

- Large display for programme progress indication, temperature, spin speed, time remaining and 24 hours time delay, and indication of drying level
- Aquatronic wash system
- Foam detection system
- Out of balance load adjustment
- Electronic child safety package
- End of cycle buzzer
- aquaStop: Siemens home appliance with lifetime warranty against water damage*

Technical Information

- Fully integrated
- Left hinged door
- Dimensions (H X W X D): 82 x 59.5 x 56 cm
- adjustable base height: 16.5 cm
- adjustable base depth: 6.5 cm
- Height adjustment with cardanDrive

^{1 2} Scale of Energy Efficiency Classes from A to G

³ Energy consumption in kWh per 100 complete cycles (in Eco 40-60 programme)

⁴ Water consumption in litres per complete cycle (in Eco 40-60 programme)

⁵ Energy consumption in kWh per 100 washing cycles (in Eco 40-60 programme)

⁶ Weighted water consumption in litres per washing cycle (in Eco 40-60 programme)

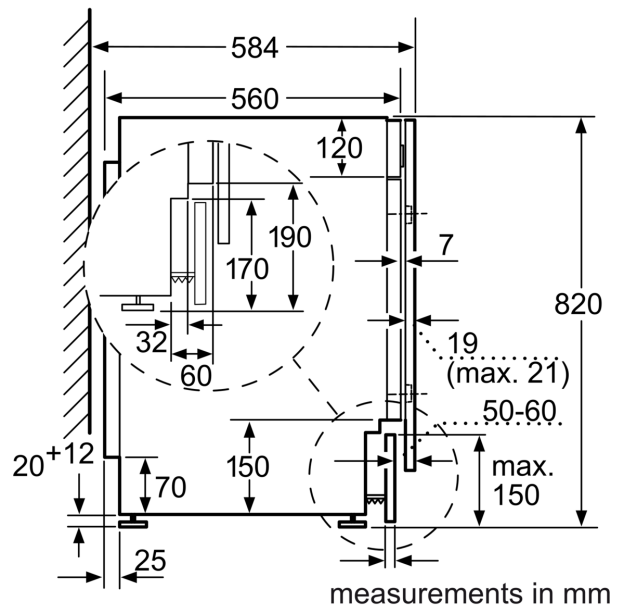
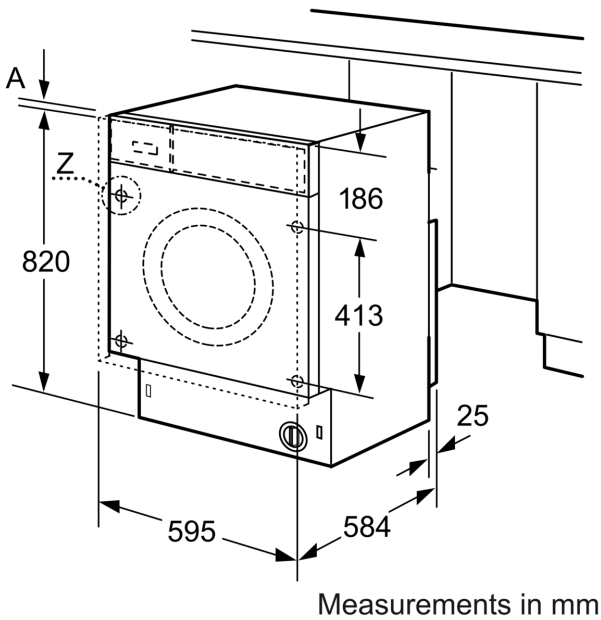
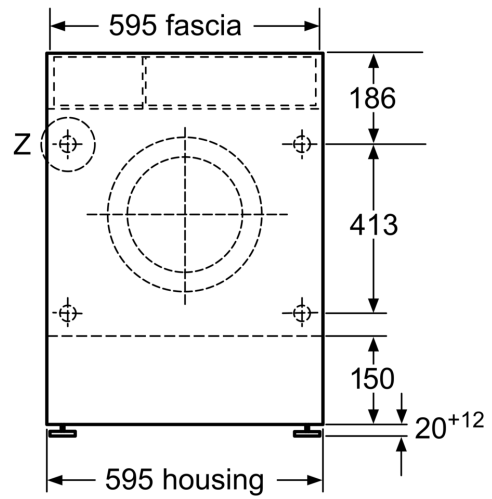
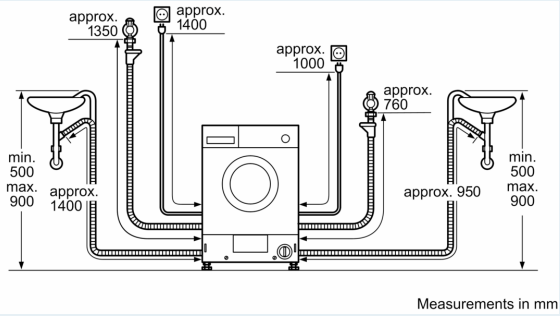
⁷ Duration of Eco 40-60 programme, Wash and Dry cycle / Wash only cycle

** Values are rounded.

* Please find warranty terms under the additional warranties section of our website.

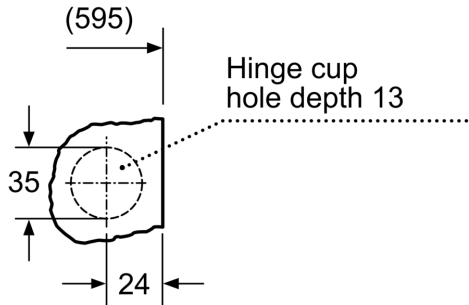
iQ500, Washer dryer, 7/4 kg
WK14D542GB

Dimensioned drawings



Dimensioned drawings

Z detail



Measurements in mm