



# ENERGY



**SONY**®

K-50XR75M2



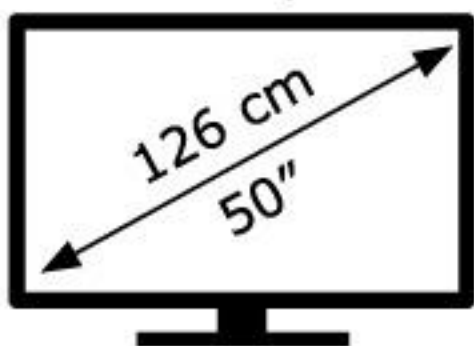
**59** kWh/1000h

ABCDEF**G**



**65** kWh/1000h

3840 px



2160 px



# ENERG



**SONY®**

K-50XR75M2



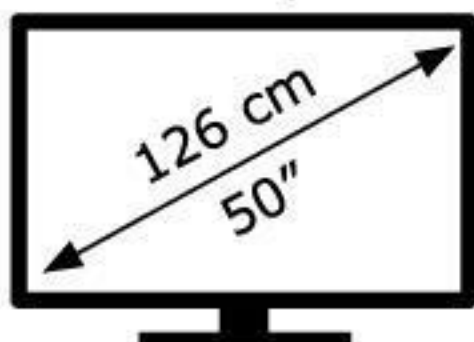
**59** kWh/1000h

ABCDEF **F** G



**65** kWh/1000h

3840 px



2160 px