



# ENERGY



**SONY**®

K-75XR95M2



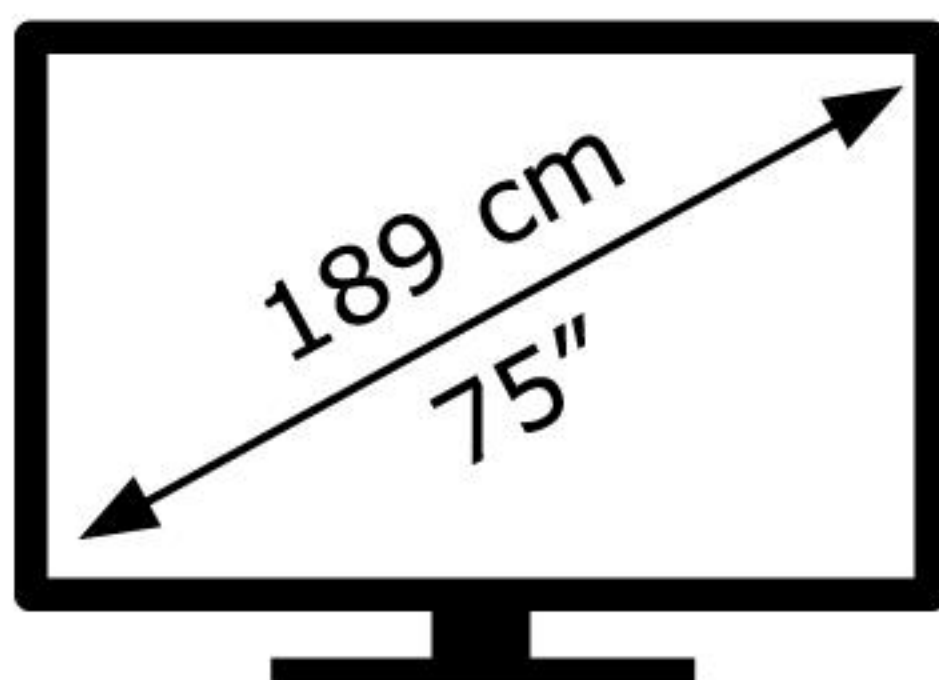
**79** kWh/1000h

ABCDEF**G**



**115** kWh/1000h

3840 px



2160 px



# ENERGY



**SONY**®

K-75XR95M2



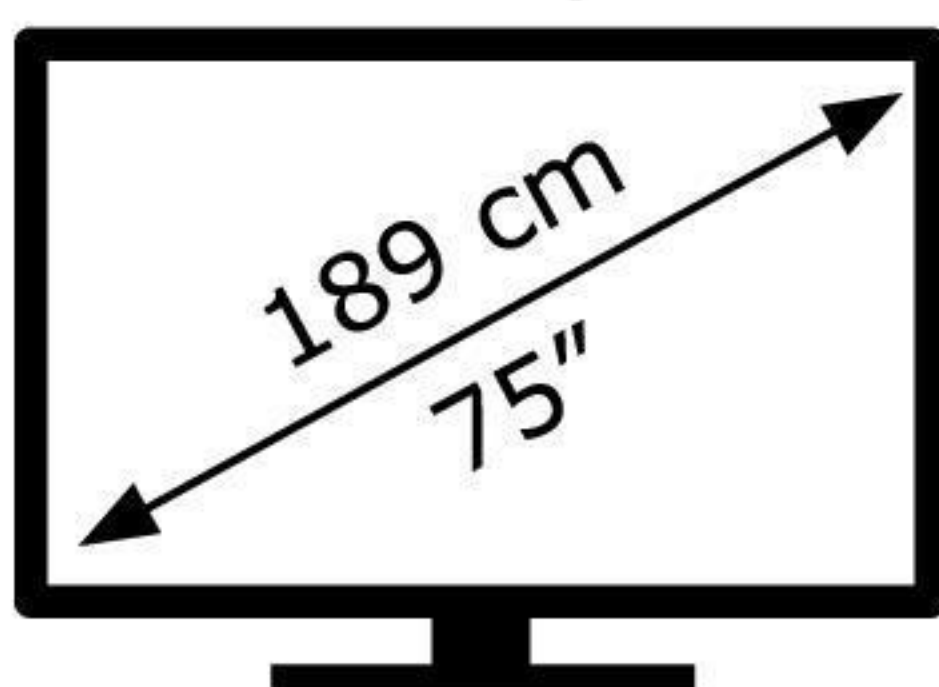
**79** kWh/1000h

ABCDEF**G**



**115** kWh/1000h

3840 px



2160 px