

**Fast, energy-efficient cooking**

Get quick, accurate cooking results with the Series 60 SpeedBurner gas hob. The burners are designed to directly heat the base of pots and pans. Saving up to 20% energy usage for boiling, frying or simmering.

Get quick, accurate cooking results with the Series 60 SpeedBurner gas hob. The burners are designed to directly heat the base of pots and pans. Saving up to 20% energy usage for boiling, frying or simmering.

Product Benefits & Features**SpeedBurner, for quicker cooking**

Get cooking up to 20% faster with the our SpeedBurners. Unlike conventional gas hobs, the SpeedBurners' flames send heat directly to the base of pots and pans, for quick heating and energy saving, too. Perfect for boiling, simmering, searing and frying.

- Rear right: Semi-rapid pureflame burner
- Stylishly one-piece hob surface for easy cleaning
- Easy clean ceramic surface
- Easy to reach front controls

Turn up the heat, with Powerful Wok

When you need an extra burst of heat, the Powerful Wok burner is on hand. Whether you're searing steaks or prawns, the higher temperature will help achieve tender, tasty results.

Cast Iron Grids, for the professional look

Strong Cast Iron Grids will give your hob a professional finish. The sturdy support will keep pots and pans flat, and their durable build will last for years.

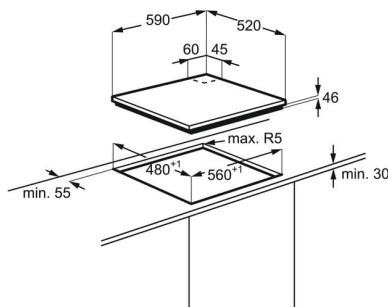
Perfect Flame Regulation, for perfect temperature

The hob's responsive gas taps feature Perfect Flame Regulation. Giving you complete control over the temperature you want to cook your favourite dishes with.

Product Specification

Hobs Dimensions	590x520
Aperture dimensions HxWxD in mm	45x560x480
Radius cutting	10
Cord Length	1.1
Dial	3900W/128mm
Rear - Power/Diameter	2000W/80mm
Right front - Power/Diameter	1000W/65mm
Right rear - Power/Diameter	2000W/80mm
Gas supply: natural gas	G20 (2H) 20 mbar
Gas replacement	G30/G31 (3+) 28-30/37 mbar, With Additional Injectors
Gas replacement	No
ProdPartCode	All Open
Plug	UK moulded plug included

PSGBHO180DE0000X



PSGBHO200DE00002

