



Even heating, with XL turntable

The Series 20 ReTurntable will start rotating as soon as the cooking process begins, meaning there's no need to manually turn food part way through. And removing your hot dish when it's done is easy, as the turntable always returns to its original starting position.

The Series 20 ReTurntable will start rotating as soon as the cooking process begins, meaning there's no need to manually turn food part way through. And removing your hot dish when it's done is easy, as the turntable always returns to its original starting position.

Product Benefits & Features

Simple solutions, with the microwave function

Effortless results are made easy with our microwave. Heat up from chilled, defrost from frozen, or reheat leftovers – all at the touch of a button.

- Microwave power max. 900 W, adjustable over 5 levels
- 24-hour digital clock with auto timer
- Quick start function at full power in 30 second intervals
- Child lock - for safety
- Audible cooking end signal
- Stainless steel interior
- 25 interior lighting

EasyOpen, the touch-activated door

The microwave's touch-activated door opens instantly. As it is electronic, unlike the more common spring-loaded mechanism, it requires minimal effort to open the door.

Save your settings, with the Favourite Function

Save your preferred settings on the microwave and get cooking quicker, using the Favourites Function. You only need to programme the power and cooking time once, and then just touch the star shape to activate. Microwave cooking just got easier.

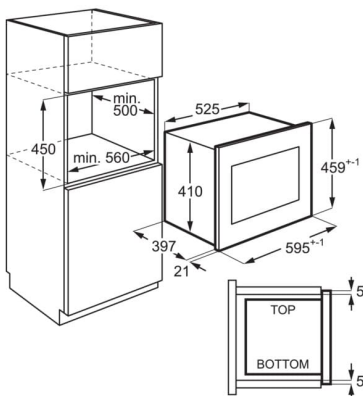
Defrost Programme, for frozen meals

Thaw frozen food, with the Defrost Programme, quickly and easily, with the microwave's Defrost Programme. Select your food type and its weight from the menu, and the microwave will automatically work out how long it will take.

Product Specification

Maximum Microwave output (W)	900
No. of power levels	5
Cavity Size	26
Noise	60
Installation	FB
Dimensions (mm) (HxWxD)	459x594x404
Dimensions (Built-in, mm)	450x562x500
Cooking Modes	Microwave
Cooking stages	0
Frequency (Hz)	50
Colour	Black
Voltage (V)	220-240
Required Fuse	16
ProdPartCode	All Open
Cavity colour	White

PSGBMC220DE00002



PSGBMC220DE00004

