



Easy, even cooking

The fan in our convection oven allows it to warm up faster, circulating the air as soon as it's turned on. Which means your dishes can cook quicker and will be evenly warmed through, without having to turn anything during cooking.

Product Benefits & Features

Convection oven, for Even Cooking

The hot air generated inside the oven during cooking is moved around with a fan, so all your dishes receive the same amount of heat. This lets the oven heat up faster, which means you'll get the same results using 20% lower temperatures, saving time and using less energy.

Sparkling results, with Aqua Clean

An additional cleaning tool is included inside the oven, called AquaClean. By adding water to the base, a humid environment is created with the oven's heat. So crumbs and splatters are easier to remove with damp cloth.

Built in grill function

Crisp bacon, sizzle sausages, or finish the cheese on a delicious lasagne, with the grill function. Place your ingredients on a rack near the top of the oven, and expect delicious results.

Oven light, for a better view

A powerful, well-placed oven light lets you see what's going on inside the oven while your food is cooking. So you can monitor your dish's progress, without having to open the door.

Removable glass door for easy cleaning

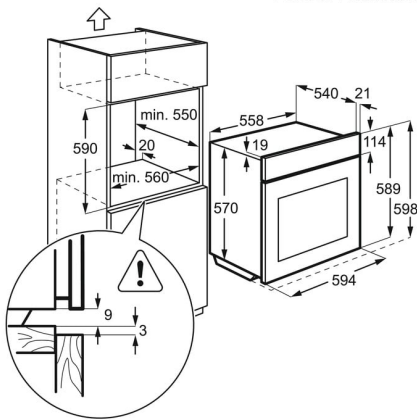
The oven door's individual glass panels can be removed so you can easily remove crumbs or wipe away any accidental spillages. Simple solutions to common problems.

- Built-in oven
- Oven energy class: A
- Oven cooking functions: Bottom heat, Conventional/Traditional cooking, Defrost, Fan cooking, Grilling, Moist fan baking, Turbo grilling
- Anti fingerprint stainless steel
- Oven cavity with 2 baking levels
- Halogen oven lighting
- High gloss enamel oven lining, easy to clean
- Easy to clean door
- Cooling fan
- Trays supplied with the oven: 1 Dripping pan black enamel, 1 Trivet chromed
- Grids supplied with the oven: 1 Wire shelf chromed

Product Specification

Installation type	Built_In	Hob control - Right Front	No
Product Typology	BI_Oven_Electric	Hob control - Right Rear	No
Product Classification	Entry	Thermostat	Top
Type	Single	Electronic type	No
Installation	BI	Heating function - Main oven	cube65_multistrip_7+0
Size, cm	60x60	Cooking elements - Main oven	Bottom, Fan, Grill, Grill + fan, Top + bottom, Top + bottom + fan
Oven Energy	Electrical	Height, mm	590
Cooking	Multifunction	Width, mm	594
Cleaning main oven	Aqua Clean Enamel	Depth, mm	560
Cleaning second oven	No	Built in depth, mm	550
N° of cavities	1	Built in height, mm	590
Design family	Yellow	Built in width, mm	560
Main colour	Stainless steel with antifingerprint	Frequency, Hz	50
Control Panel material	Stainless steel with antifingerprint	Volt, V	220-240
Door type	2 Glasses, Brand Logo on Glass, ER Graphic	Required fuse (A)	13
Handle Variant Name	Metal	Cord length, m	1.6
Door hinges	Drop Down Removable	Plug Type	No
Drawer	No	Total electricity loading, W	2090
Control lamps	Power on, Thermostat Indicator	Max power grill, W	2090
Hob control	No	Bottom element power, W	1050
Hob control - Left Front	No	Top element power, W	1000
Hob control - Left Rear	No	Grill element power, W	1300
		Ring element power, W	2000
		Stand-by power, W	0

PSGBOV140D002002



PSGBOV140D002003

