



Quick heating and even cooking

The Series 20 FanCook Oven circulates hot air heat with its fan and ring element. Air is continuously moved around in the oven cavity, to make sure that dishes can be cooked on different level at the same time

Product Benefits & Features

Evenly cooked results, on any level

Get perfectly even oven results with Multilevel cooking. An additional heating ring promises even cooking across all three levels. Which is great for cooking more favourite dishes at the same time.

Sparkling results, with Aqua Clean

An additional cleaning tool is included inside the oven, called AquaClean. By adding water to the base, a humid environment is created with the oven's heat. So crumbs and splatters are easier to remove with damp cloth.

Convection oven, for Even Cooking

The hot air generated inside the oven during cooking is moved around with a fan, so all your dishes receive the same amount of heat. This lets the oven heat up faster, which means you'll get the same results using 20% lower temperatures, saving time and using less energy.

Time taken care of, with LED display

Set exact cooking times and keep track of all your dishes with the LED display. Juggling a few different dishes at once has never been easier.

Oven light, for a better view

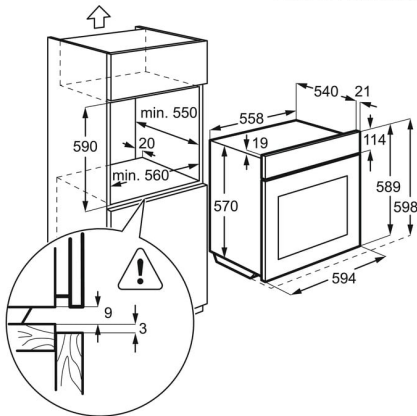
A powerful, well-placed oven light lets you see what's going on inside the oven while your food is cooking. So you can monitor your dish's progress, without having to open the door.

- Built-in oven
- Multifunctional oven with ring heating element
- Oven energy class: A
- Oven cooking functions: Bottom heat, Conventional/Traditional cooking, Defrost, Fan cooking, Grilling, Moist fan baking, True fan cooking, Turbo grilling
- Anti fingerprint stainless steel
- Oven cavity with 2 baking levels
- Electronic timer
- Electronic oven functions overview: Acoustic signal, Duration, Minute minder, Time
- Halogen oven lighting
- High gloss enamel oven lining, easy to clean
- Easy to clean door
- Cooling fan
- Trays supplied with the oven: 1 Dripping pan black enamel, 1 Trivet chromed
- Grids supplied with the oven: 1 Wire shelf chromed

Product Specification

Installation type	Built_In	Hob control - Right Front	No
Product Typology	BI_Oven_Electric	Hob control - Right Rear	No
Product Classification	Entry	Thermostat	Top
Type	Single	Electronic type	SET
Installation	BI	Electronic Oven Control	SET (IEC60335-2-6 Amd.1)
Size, cm	60x60	Programming possibilities	Acoustic signal, Duration, Minute minder, Time
Oven Energy	Electrical	Heating function - Main oven	SET_MF_cube65_aqua
Cooking	Fan + Ring	Cooking elements - Main oven	Bottom, Fan, Grill, Grill + fan, Ring + fan, Top + bottom, Top + bottom + fan
Cleaning main oven	Aqua Clean Enamel	Height, mm	590
Cleaning second oven	No	Width, mm	594
N° of cavities	1	Depth, mm	560
Design family	Yellow	Built in depth, mm	550
Main colour	Stainless steel with antifingerprint	Built in height, mm	590
Control Panel material	Stainless steel with antifingerprint	Built in width, mm	560
Door type	2 Glasses, Brand Logo on Glass, ER Graphic	Frequency, Hz	50
Handle Variant Name	Metal	Volt, V	230
Door hinges	Drop Down Removable	Required fuse (A)	13
Drawer	No	Plug Type	No
Control lamps	Thermostat Indicator	Total electricity loading, W	2090
Hob control	No	Max power grill, W	2090
Hob control - Left Front	No	Bottom element power, W	1050
Hob control - Left Rear	No	Grill element power, W	1300

PSGBOV140D002002



PSGBOV140D002003

